



NOVA PRO SCALA



G* GRASS®

NOVA PRO SCALA DRAWER SYSTEM

Inspiration in the right angle.
Simple. Clear. Timeless.





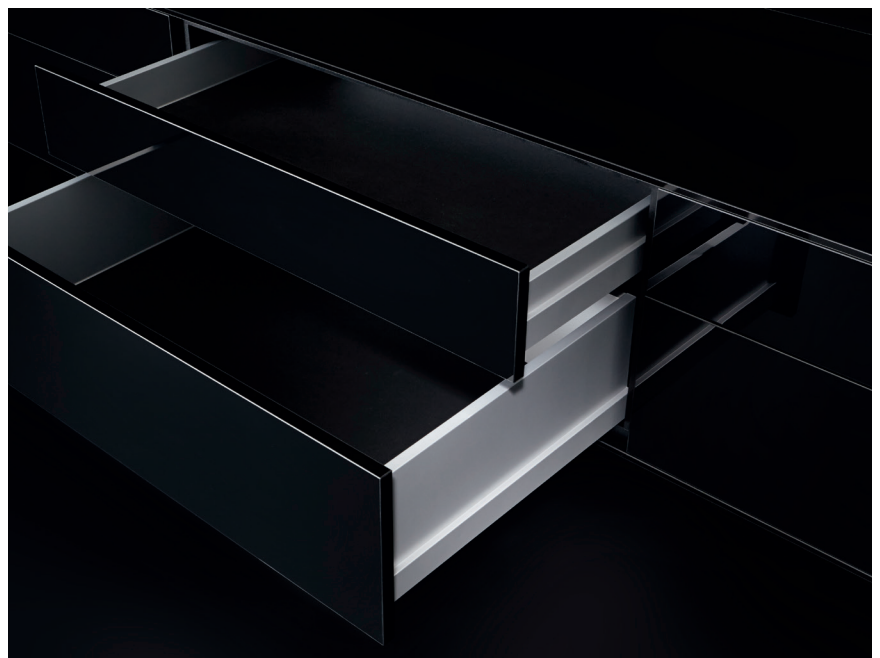


Nova Pro was the original. Nova Pro Scala is a step into the future.

Over the years, Nova Pro has become synonymous with double-wall drawer systems.

Proven a million times over in practical use, this drawer system remains unparalleled in terms of quality, stability, and running performance. True to its predecessors' reputation, Nova Pro Scala is designed flawlessly down to the last detail with a performance that exceeds all other drawer systems.

With Nova Pro Scala, an integrated drawer concept was developed as a design and functional solution to meet a wide range of requirements for various markets. Every customer is different, pursues their own philosophy, and has individual requirements, ideas, and needs. Thanks to its modular versatility, Nova Pro Scala can satisfy these varied requests. Whether contemporary or classical, Nova Pro Scala offers each customer a functional, added value product which turns the act of opening and closing drawers into an artistic experience.



NOVA PRO SCALA DRAWER SYSTEM

Versatile. Creative. Concealed.

Nova Pro Scala epitomizes exceptional ease of opening, outstanding running performance, and impressive Soft-closing action.



The outstanding features of the Nova Pro Scala are impressive. The timeless design has an elegant, slim edge that never interrupts the drawer's outline. The construction of the interior double-wall sides offers optimum space utilization with the 90° inside surface.

With a wide range of options in colors, heights, and lengths the Nova Pro Scala is able to satisfy the most discerning of cabinet manufacturers. Three stunning colors in the popular shades of Silver, Stone, and Ice are elegant and represent the modern design of cabinetry. The drawer side heights are offered in 63mm and



90mm as well as deep drawers with heights of 186mm and 250mm. The deep drawers add a new element of variety when working with the system. Other options for a deep drawer are the rectangular railings that have long been a classic solution for adding height to a drawer.

For Nova Pro Scala, a new rectangular railing system has been developed that optimizes all components of the system and has been restyled to create a harmonized look. From the front bracket to the back-panel connector, everything is aligned, snug, and coordinates to provide an elegant impression.



For interior organization, Nova Pro Scala offers the Tavinea Optima system. Both systems are made of steel and have the same powder coating characteristics so that the Tavinea Optima coordinates perfectly with the Nova Pro Scala. The Tavinea Optima system is simple with two frame elements and one divider rail to create the organization you need.

The opening and closing systems that are synonymous with Grass are also present in the Nova Pro Scala. The Soft-close action gently slows the drawer and pulls it to the fully closed position. The Tipmatic Soft-close opening system combines



the advantages of the mechanical opening mechanism with the comfort of the Soft-close damping system. With the push-to-open mechanism, it is possible to incorporate large fronts without handles which open at the lightest touch. With Sensomatic's automatic touch-sensitive function, a gentle push is enough to start the movement of the Nova Pro Scala drawers while a second gentle push closes the drawer with the same smooth action.

Table of Content

	Description	Adjustment	Page
	Features & Benefits		6
	Technical Information		8
	Shallow Drawer H63 <ul style="list-style-type: none"> • Height 63mm (2 1/2") • Integrated 2-dimensional adjustment • Soft-close 	<ul style="list-style-type: none"> • Height adjustment (max ±2.0mm via cam) • Side adjustment (max ±1.5mm) 	12
	Standard Drawer H90 <ul style="list-style-type: none"> • Height 90mm (3 1/2") • Integrated 2-dimensional adjustment • Soft-close 	<ul style="list-style-type: none"> • Height adjustment (max ±2.0mm via cam) • Side adjustment (max ±1.5mm) 	14
	Deep Drawer H186 <ul style="list-style-type: none"> • Height 186mm (7 5/16") • Integrated 3-dimensional adjustment • Soft-close 	<ul style="list-style-type: none"> • Height adjustment (max +2.0mm via cam) • Side adjustment (max ±1.5mm) • Tilt adjustment (max +2.0mm) 	16
	Deep Drawer H250 <ul style="list-style-type: none"> • Height 250mm (9 13/16") • Integrated 3-dimensional adjustment • Soft-close 	<ul style="list-style-type: none"> • Height adjustment (max ±2.0mm via cam) • Side adjustment (max ±1.5mm) • Tilt adjustment (max +2.0mm) 	18
	Nova Pro Cabinet Members <ul style="list-style-type: none"> • Full extension • Integrated Soft-close 		20
	Tipmatic Soft-close <ul style="list-style-type: none"> • Tool free assembly • Works with all Nova Pro Scala lengths and heights 		22
	Nova Pro Scala Rectangular Railing <ul style="list-style-type: none"> • Complete set packaging • Simple installation 		24
	Nova Pro Scala Inset Drawer <ul style="list-style-type: none"> • Color-coordinated front panel • For H90 or H186 drawer sides 		26
	Tavinea Optima <ul style="list-style-type: none"> • Dividing system for deep drawers • Tool-free adjustment 		27
	Designer Options <ul style="list-style-type: none"> • Magnetic adhesive tape for custom made panels 		28
	Sink Back Panels		30
	Accessories & Assembly Aids		32

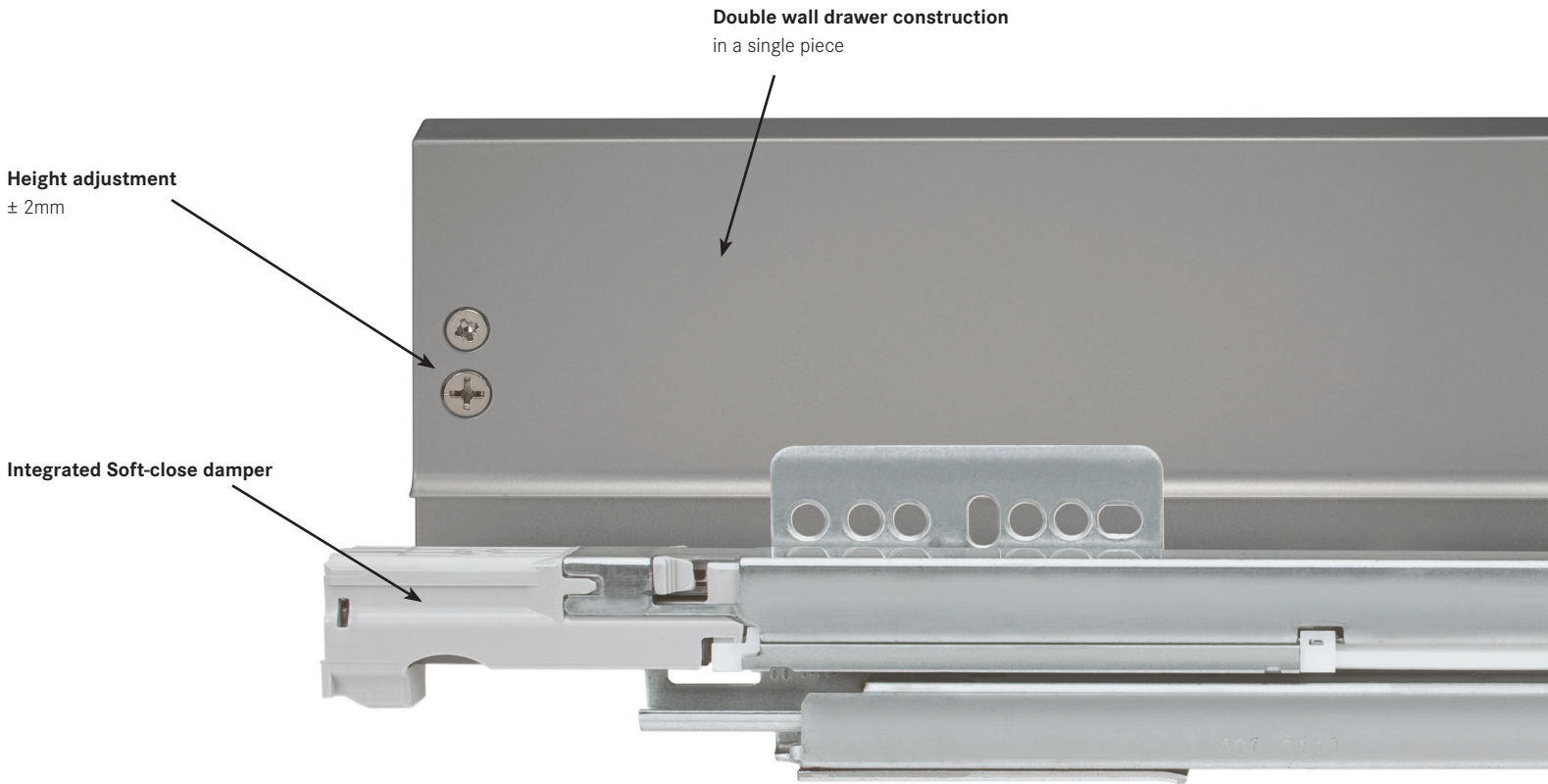
Features and Benefits

Nova Pro Scala

Features



- Elegant continuous design formed from a single piece of high quality steel
- Synchronized full extension drawer slide
- Smooth Soft-closing action with state-of-the-art soft-close technology
- Drawer front can be installed or removed without the use of tools
- Works with Tipmatic Soft-close and Sensomatic touch-to-open systems
- Width of the bottom and back panel is the same
- 2 and 3 dimensional adjustments



Optimum space
with 90° inside surface

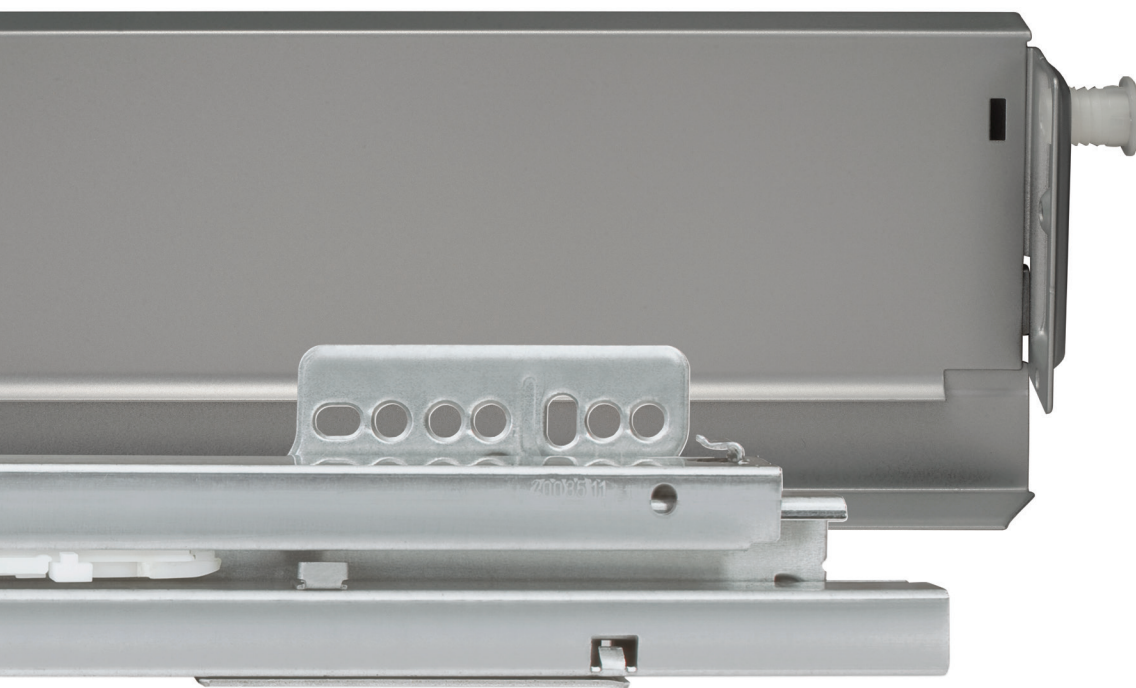
Side adjustment via lever
± 1.5mm



Designer Options
with rectangular railing and custom
side panels

Features

- Vertical interior walls for optimum use of interior space
- Available in Silver, Stone, and Ice finishes
- Drawer side heights of 63mm, 90mm, 186mm, 250mm
- Carrying load ratings offered in 88 lb and 154 lb capacities
- Interior organization possible for deep drawers
- Side and divider railing available for all drawer heights
- Designer panels can be added to offer new design possibilities
- Sink back panel holder designed for use underneath sink drain trap
- Assembly aids for easy installation
- Works with Sensomatic (see Online Nova Pro Scala catalog)
- Tilt adjustment on 186mm and 250mm deep drawers



Tipmatic Soft-close
for handle free drawers



Tavinea Optima
Dividing system for
drawer organization

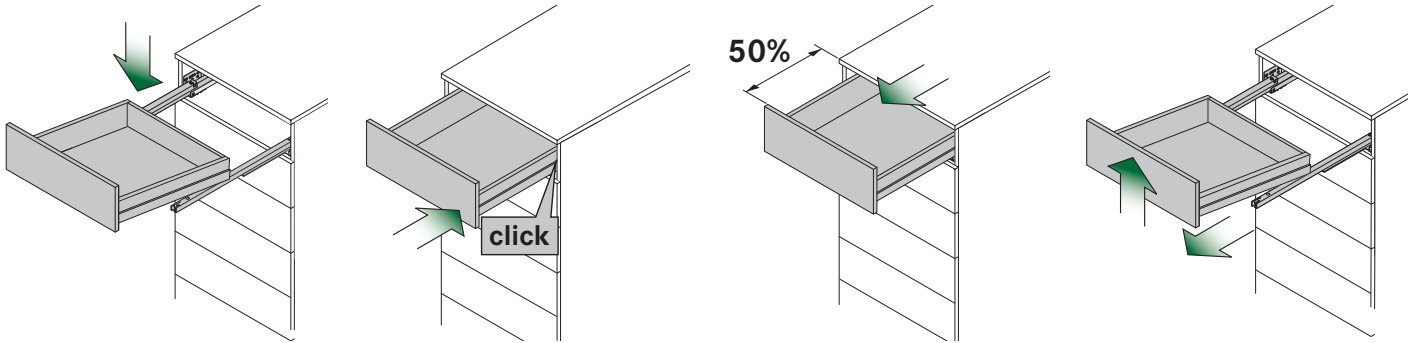
Technical Information

Nova Pro Scala

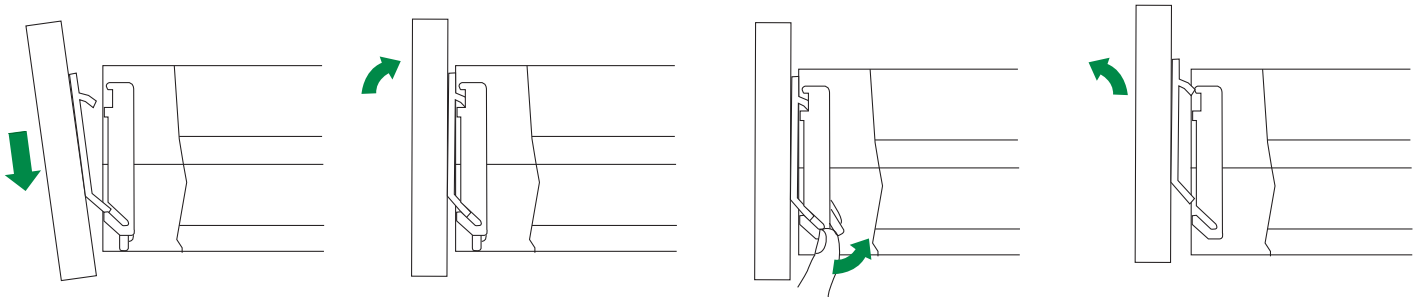
Inserting Drawer

Removing Drawer

Place drawer on extended Nova Pro slide and push in until it engages audibly



Drawer Front Assembly



Front Assembly

1. Angle the front panel with the installation hooks into the lower slanted slot (0-positioning with the installation hooks).
2. Tilt the front in and...
3. Press down.

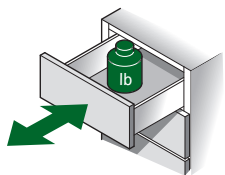
Front Removal

1. Press the lever
2. Remove front panel.

Weight Capacities per Pair of Slides

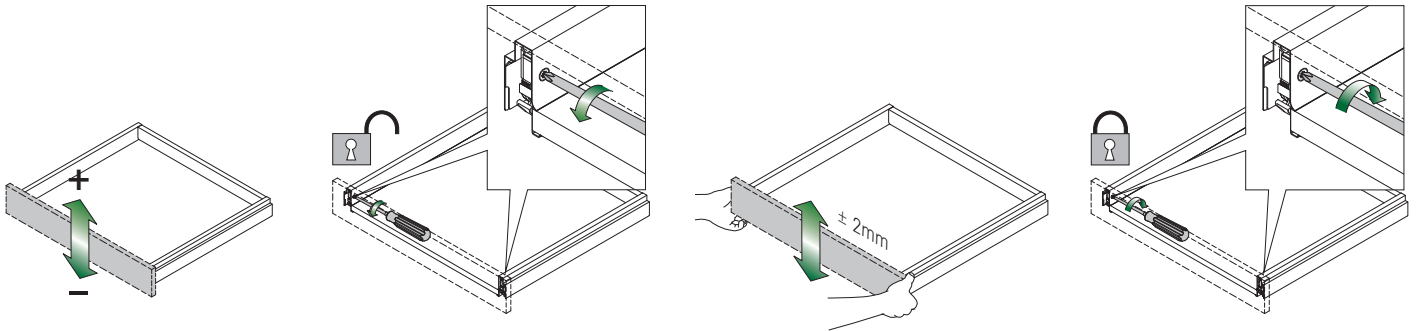
Nova Pro Scala is available in two load ratings: 88 lb and 154 lb dynamic load rating

Nova Pro Scala meets and exceeds the minimum requirements of ANSI/BHMA A156.9 Standard, Grade 1

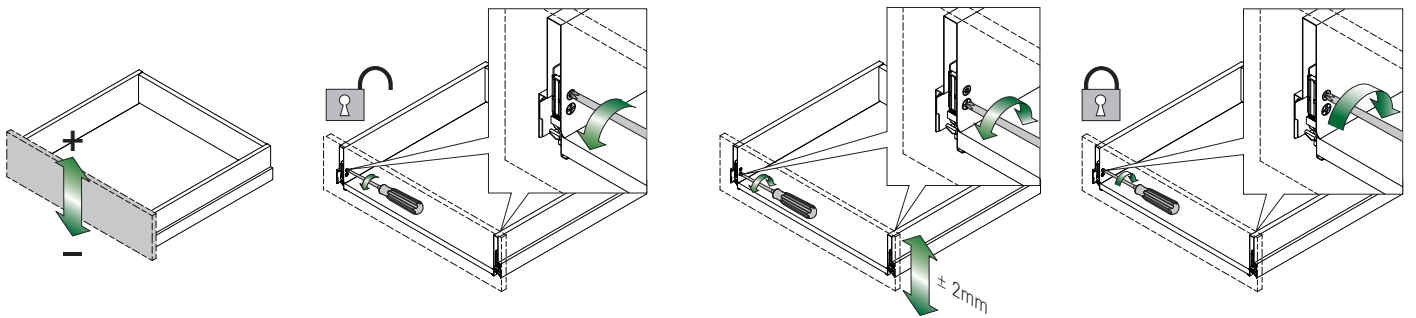


Height Adjustment $\pm 2\text{mm}$

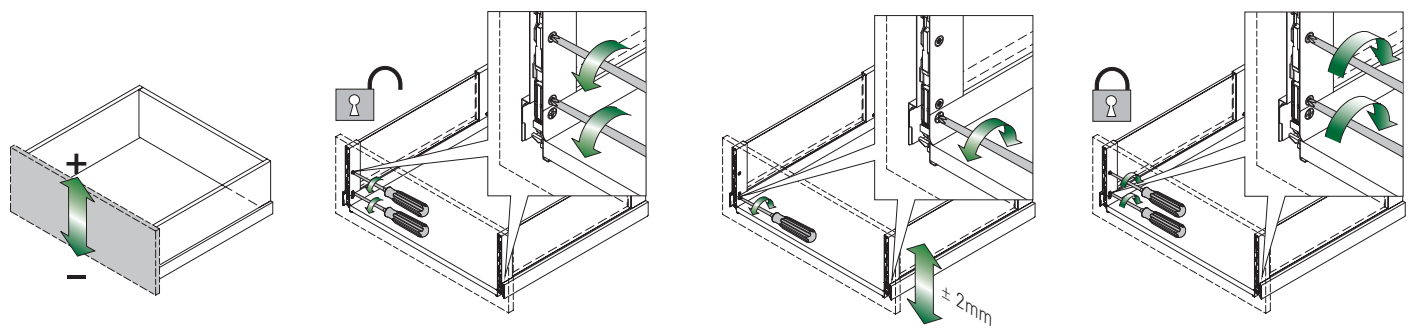
H63



H90



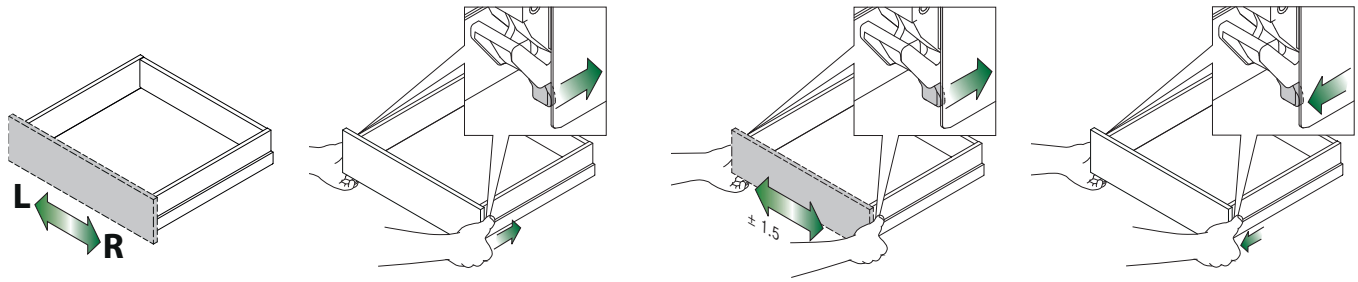
H186 & H250



Technical Information

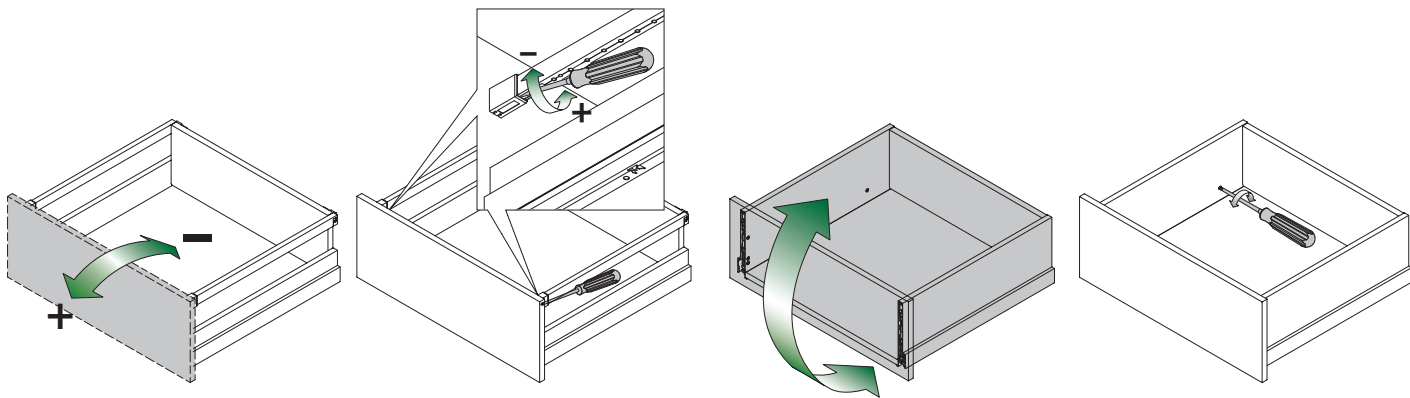
Nova Pro Scala

Side Adjustment $\pm 1.5\text{mm}$

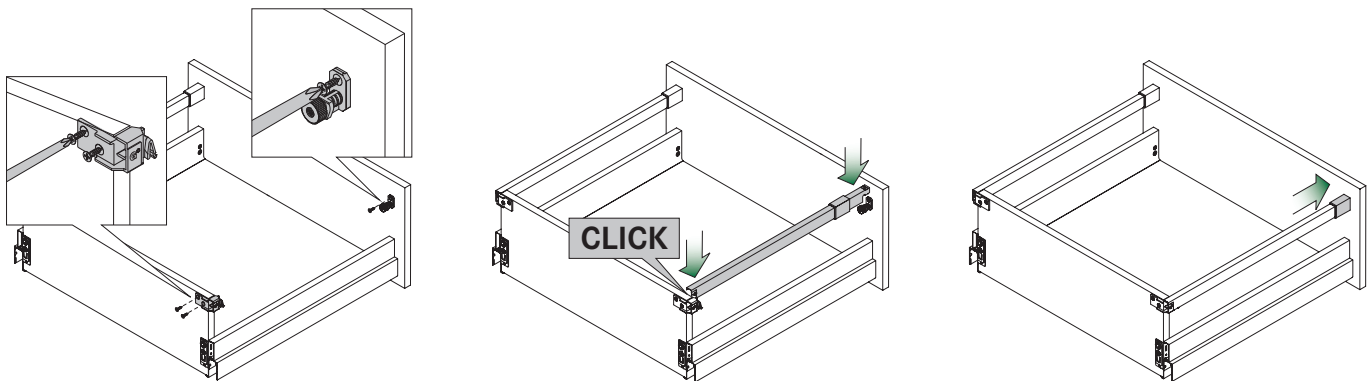


Tilt Adjustment - H90 with Rectangular Railing

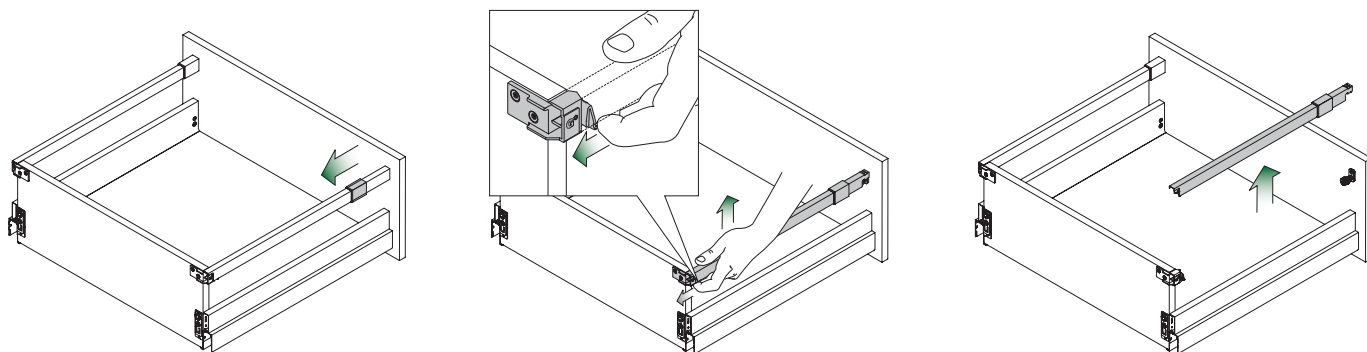
Tilt Adjustment - H186 and H250 +2mm



Rectangular Railing Installation

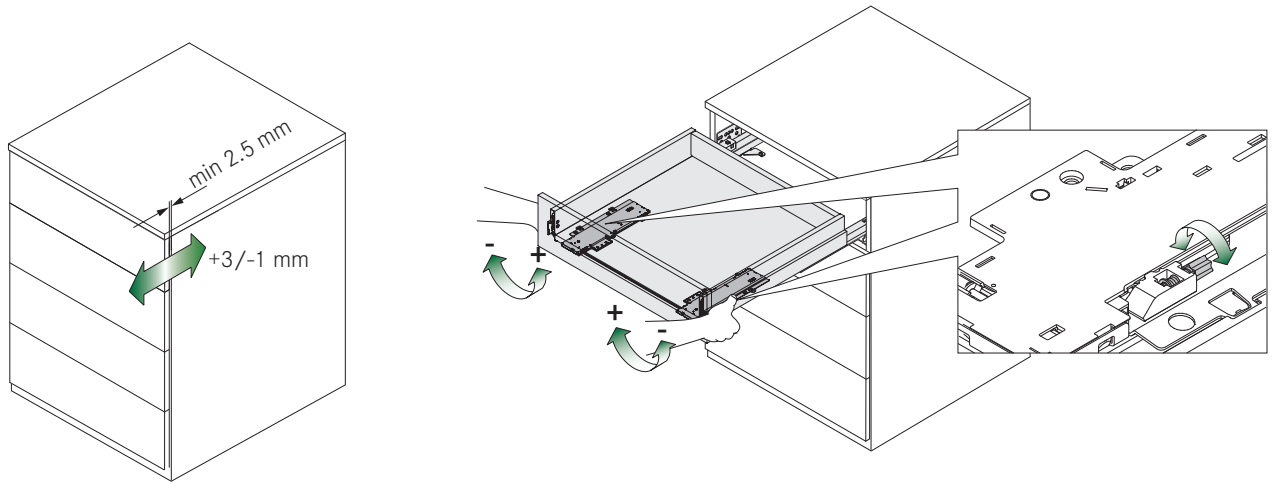


Rectangular Railing Dismounting

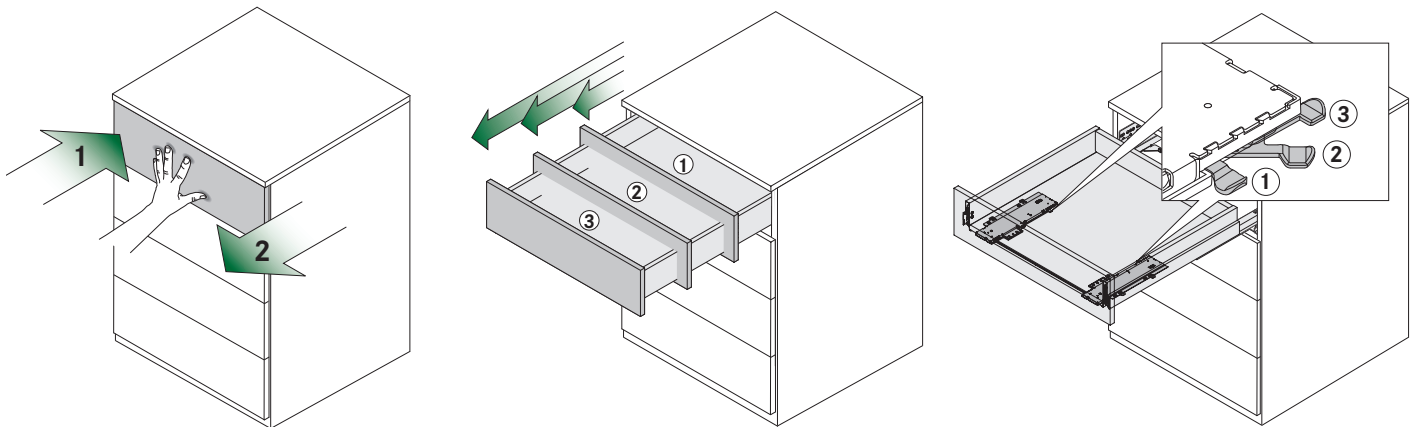


Tipmatic Soft-close Installation and Adjustment

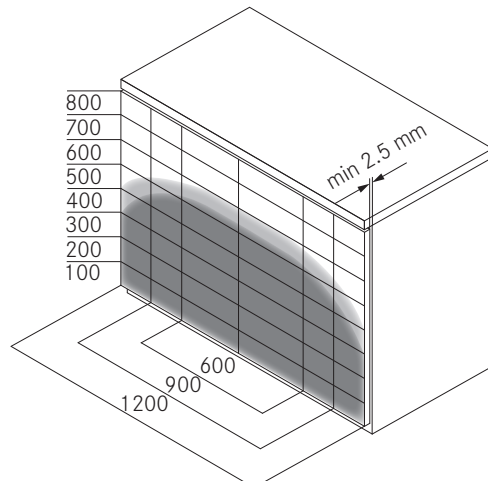
Front Gap Adjustment (+3mm/-1mm)



Opening Force Adjustment



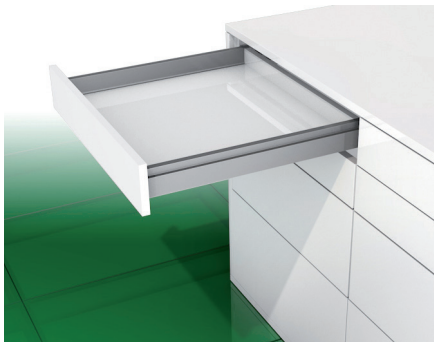
Tipmatic Activation Range



All measurements are in millimeters

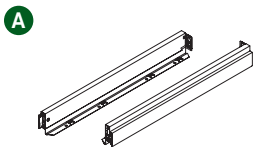
Nova Pro Scala, Shallow Drawer

H63 Series - 63mm (2 1/2") side height drawer system



- Extremely shallow drawer for limited heights
- Full extension for maximum access to drawer contents
- Integrated height and side adjustment
- Compatible with Tipmatic Soft-close
- Tool-free drawer front removal and installation
- Available load capacities: 88 lb (40kg) and 154 lb (70kg) dynamic
- Fully-synchronized slide technology
- Soft-close damping system

Drawer Member Set



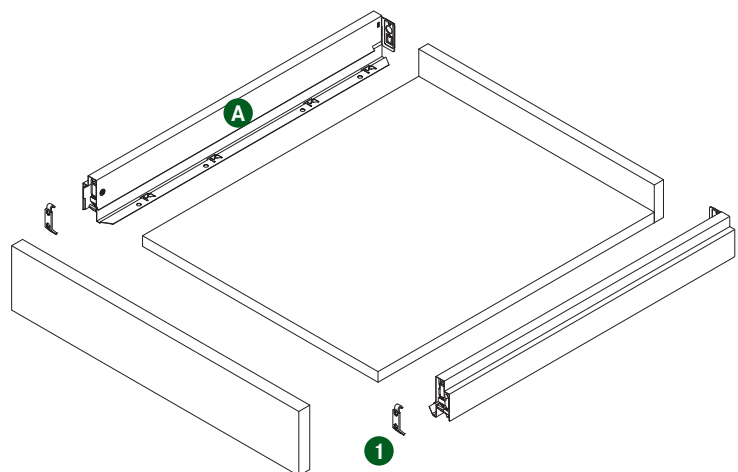
Description	Slide Length	Item No. Stone	Item No. Ice	Item No. Silver	PU
A Nova Pro Scala H63/400 Drawer Member Set	400 (16")	F100103009211	F100103036211	F100103063211	10
Nova Pro Scala H63/450 Drawer Member Set	450 (18")	F100103012211	F100103039211	F100103066211	10
Nova Pro Scala H63/500 Drawer Member Set	500 (20")	F100103015211	F100103042211	F100103069211	10
Nova Pro Scala H63/550 Drawer Member Set	550 (22")	F100103018211	F100103045211	F100103072211	10

Front Brackets



Description	Item No.	PU
1 Screw-on H63 Bracket	F102038330123	100
Dowelled H63 Bracket, 10mm	F102038331123	100

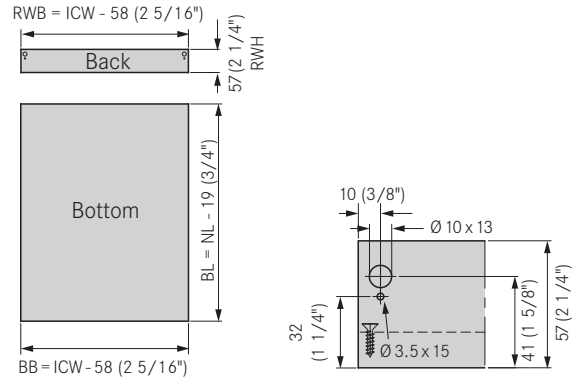
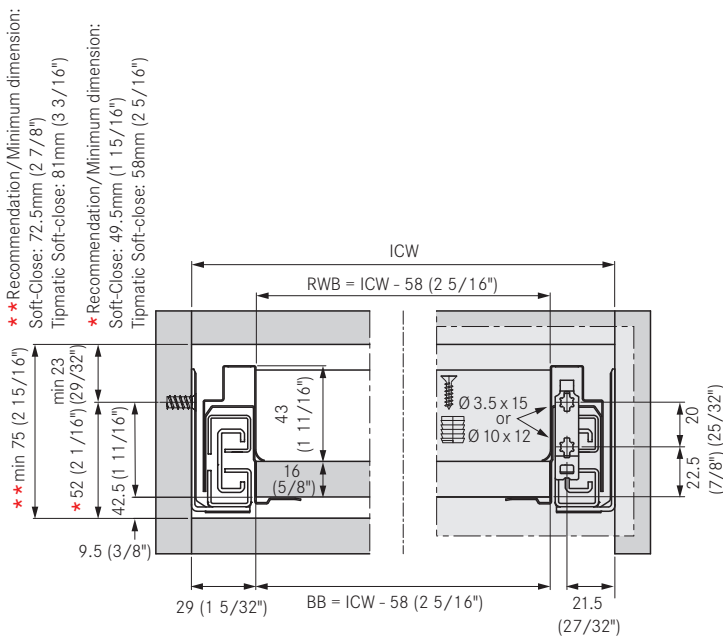
Note: Two brackets are required per drawer



PU - Packaging unit

Drawer Installation Dimensions

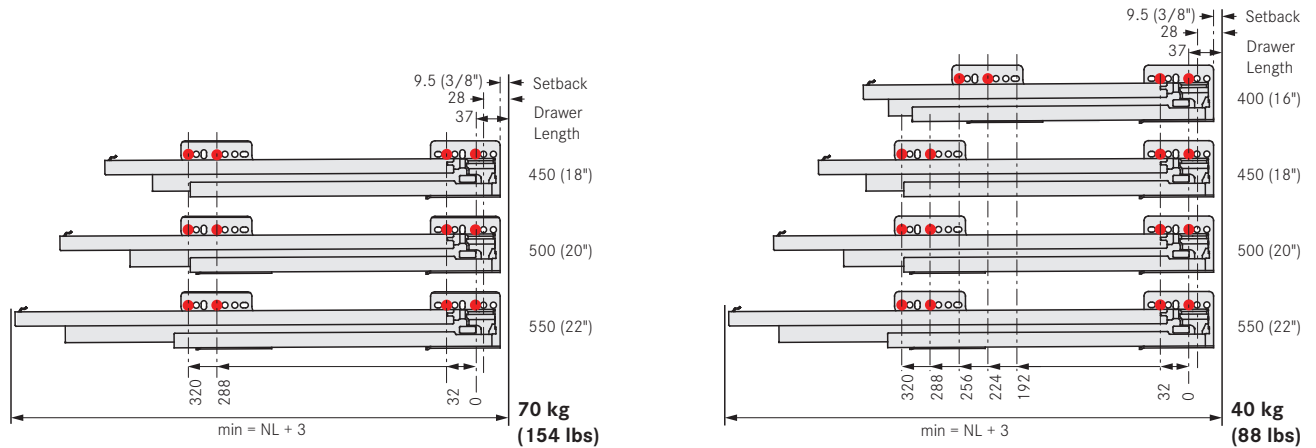
Drawer Back and Bottom Measurements



Note: Cutting dimensions for back and bottom based on 16mm material

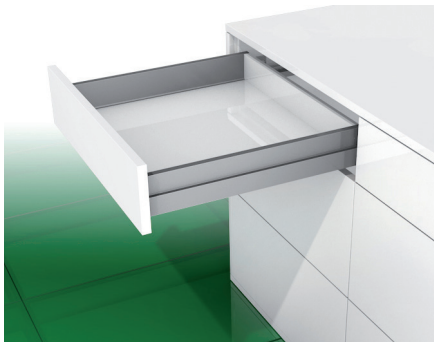
Cabinet Boring Specifications

- BB = bottom panel width
- BL = bottom panel length
- ICW = inside cabinet width
- IDW = inside drawer width
- NL = nominal length
- RWB = back panel width
- RWH = back panel height



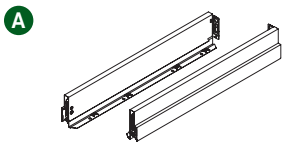
Nova Pro Scala, Standard Drawer

H90 Series - 90mm (3 1/2") side height drawer system



- The practical standard drawer for all applications
- Full extension for maximum access to drawer contents
- Integrated height and side adjustment
- Compatible with Tipmatic Soft-close
- Tool-free drawer front removal and installation
- Available load capacities: 88 lb (40kg) and 154 lb (70kg) dynamic
- Fully-synchronized slide technology
- Soft-close damping system

Drawer Member Set



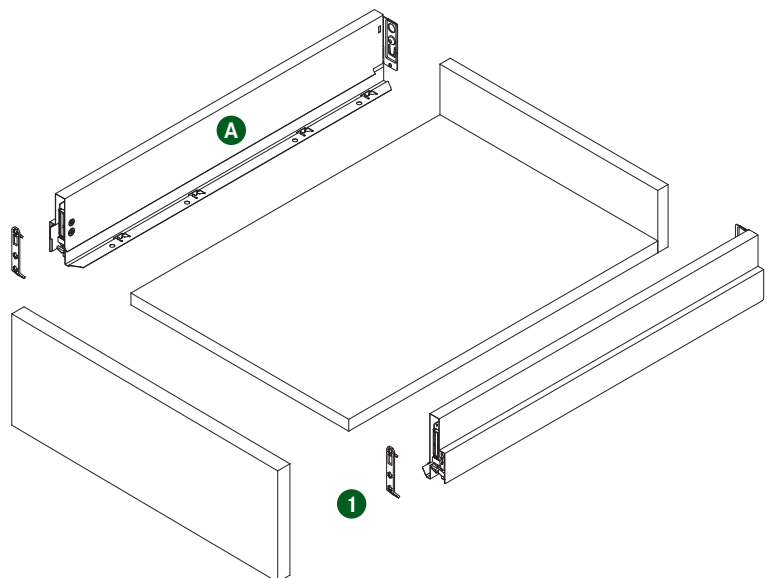
Description	Slide Length	Item No. Stone	Item No. Ice	Item No. Silver	PU
A Nova Pro Scala H90/270 Drawer Member Set	270 (11")	F100103108211	F100103135211	F100103162211	10
Nova Pro Scala H90/300 Drawer Member Set	300 (12")	F100103111211	F100103138211	F100103165211	10
Nova Pro Scala H90/350 Drawer Member Set	350 (14")	F100103114211	F100103141211	F100103168211	10
Nova Pro Scala H90/400 Drawer Member Set	400 (16")	F100103117211	F100103144211	F100103171211	10
Nova Pro Scala H90/450 Drawer Member Set	450 (18")	F100103120211	F100103147211	F100103174211	10
Nova Pro Scala H90/500 Drawer Member Set	500 (20")	F100103123211	F100103150211	F100103177211	10
Nova Pro Scala H90/550 Drawer Member Set	550 (22")	F100103126211	F100103153211	F100103180211	10
Nova Pro Scala H90/600 Drawer Member Set	600 (24")	F100103129211	F100103156211	F100103183211	10
Nova Pro Scala H90/650 Drawer Member Set	650 (26")	F100103132211	F100103159211	F100103186211	10

Front Brackets



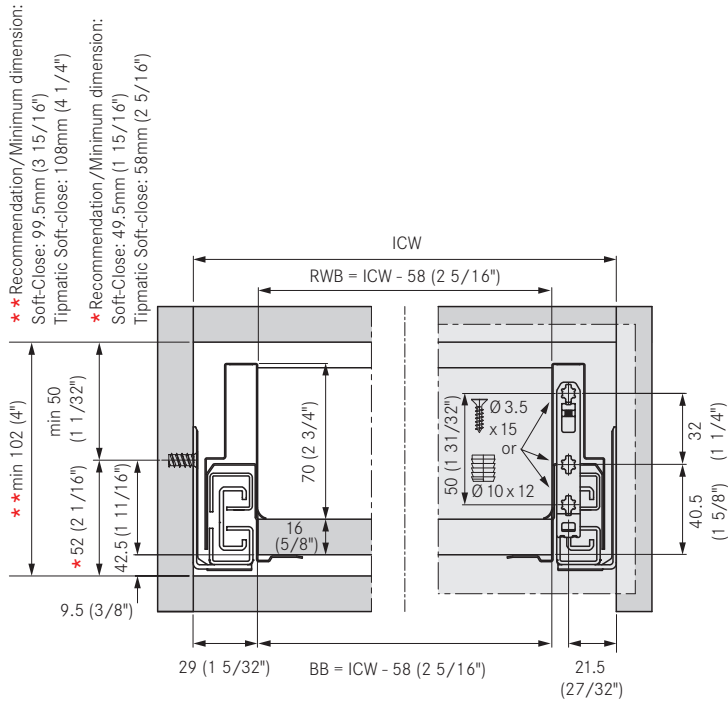
Description	Item No.	PU
1 Screw-on Bracket	F102021855123	100
Dowelled Bracket, 10mm	F102021854123	100

Note: Two brackets are required per drawer

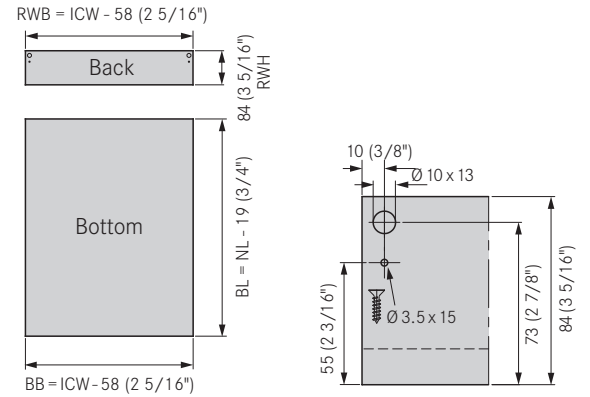


PU - Packaging unit

Drawer Installation Dimensions



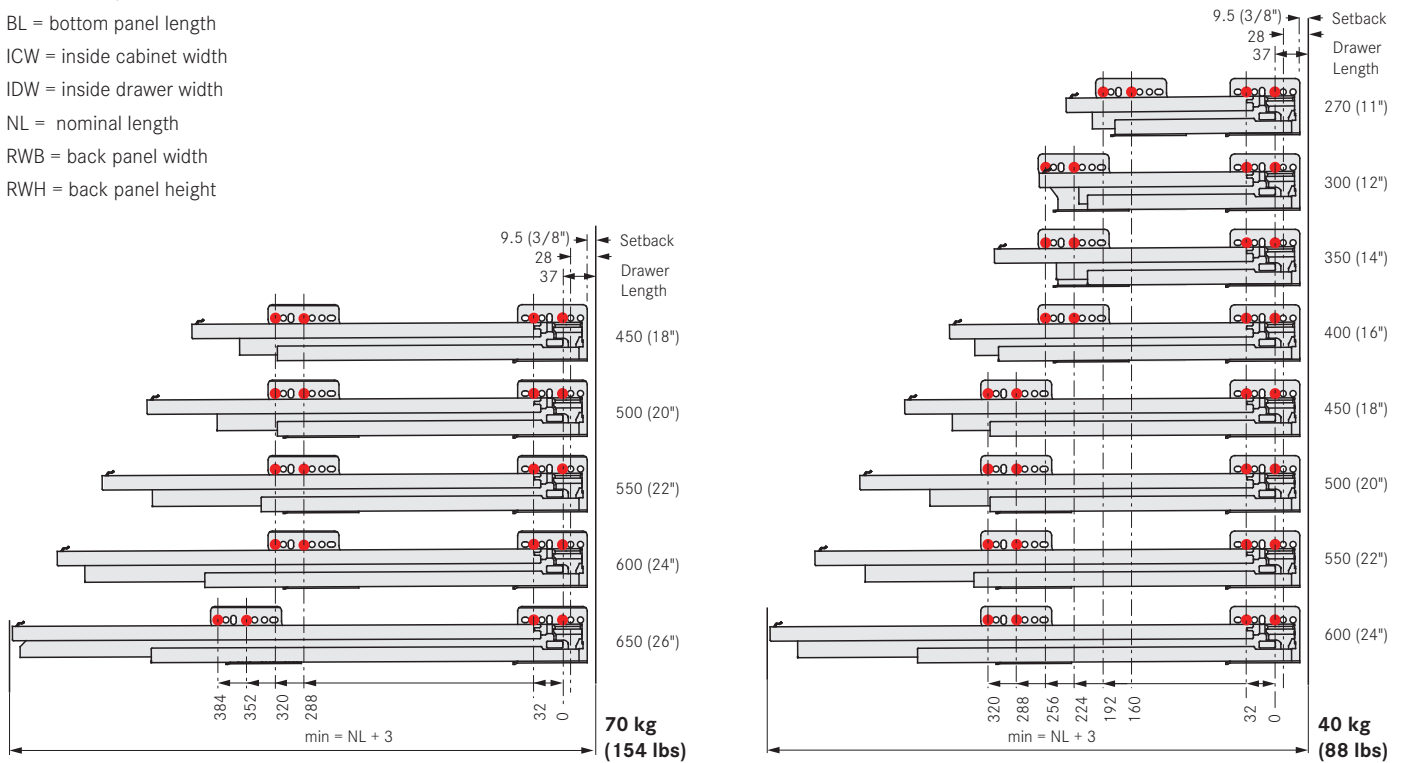
Drawer Back and Bottom Measurements



Note: Cutting dimensions for back and bottom based on 16mm material

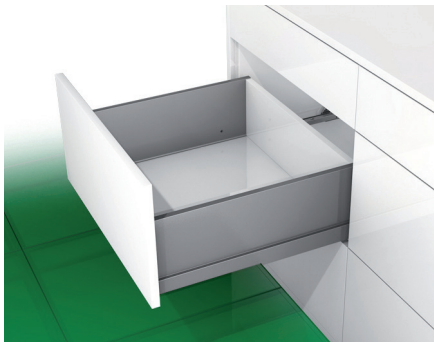
Cabinet Boring Specifications

- BB = bottom panel width
- BL = bottom panel length
- ICW = inside cabinet width
- IDW = inside drawer width
- NL = nominal length
- RWB = back panel width
- RWH = back panel height



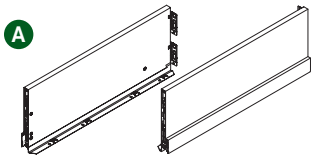
Nova Pro Scala, Deep Drawer

H186 Series - 186mm (7 5/16") side height drawer system



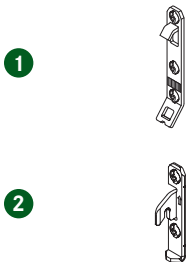
- Slim, deep drawer side
- High stability up to a front height of 780mm (30 11/16")
- Full extension for maximum access to drawer contents
- Integrated height, side and tilt adjustment
- Compatible with Tipmatic Soft-close
- Tool-free drawer front removal and installation
- Available load capacities: 88 lb (40kg) and 154 lb (70kg) dynamic
- Fully-synchronized slide technology
- Soft-close damping system

Drawer Member Set



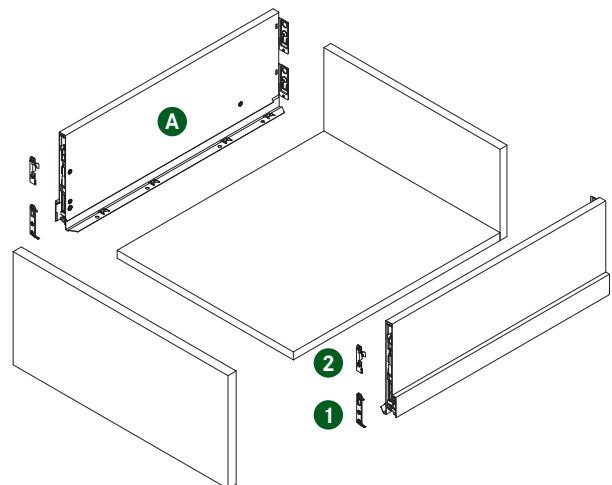
Description	Slide Length	Item No. Stone	Item No. Ice	Item No. Silver	PU
A Nova Pro Scala H186/270 Drawer Member Set	270 (11")	F100103300 211	F100103327 211	F100103354 211	10
Nova Pro Scala H186/300 Drawer Member Set	300 (12")	F100103303 211	F100103330 211	F100103357 211	10
Nova Pro Scala H186/350 Drawer Member Set	350 (14")	F100103306 211	F100103333 211	F100103360 211	10
Nova Pro Scala H186/400 Drawer Member Set	400 (16")	F100103309 211	F100103336 211	F100103363 211	10
Nova Pro Scala H186/450 Drawer Member Set	450 (18")	F100103312 211	F100103339 211	F100103366 211	10
Nova Pro Scala H186/500 Drawer Member Set	500 (20")	F100103315 211	F100103342 211	F100103369 211	10
Nova Pro Scala H186/550 Drawer Member Set	550 (22")	F100103318 211	F100103345 211	F100103372 211	10
Nova Pro Scala H186/600 Drawer Member Set	600 (24")	F100103321 211	F100103348 211	F100103375 211	10
Nova Pro Scala H186/650 Drawer Member Set	650 (26")	F100103324 211	F100103351 211	F100103378 211	10

Front Brackets



Description	Item No.	PU
1 Screw-on Bracket	F102021855 123	100
Dowelled Bracket, 10mm	F102021854 123	100
2 Screw-on Front Clip	F102104833 123	100
Dowelled Front Clip, 10mm	F102104834 123	100

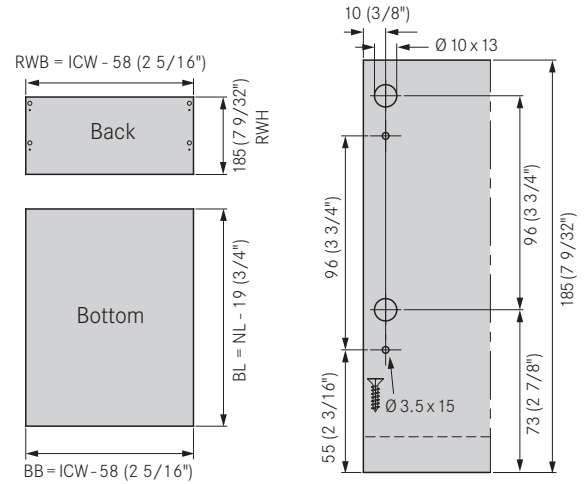
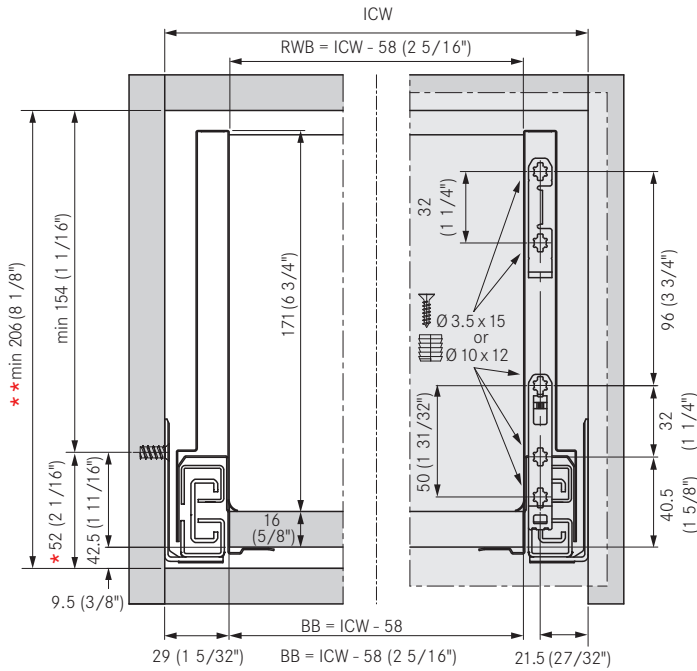
Note: Two brackets are required per drawer



PU - Packaging unit

Drawer Installation Dimensions

Drawer Back and Bottom Measurements

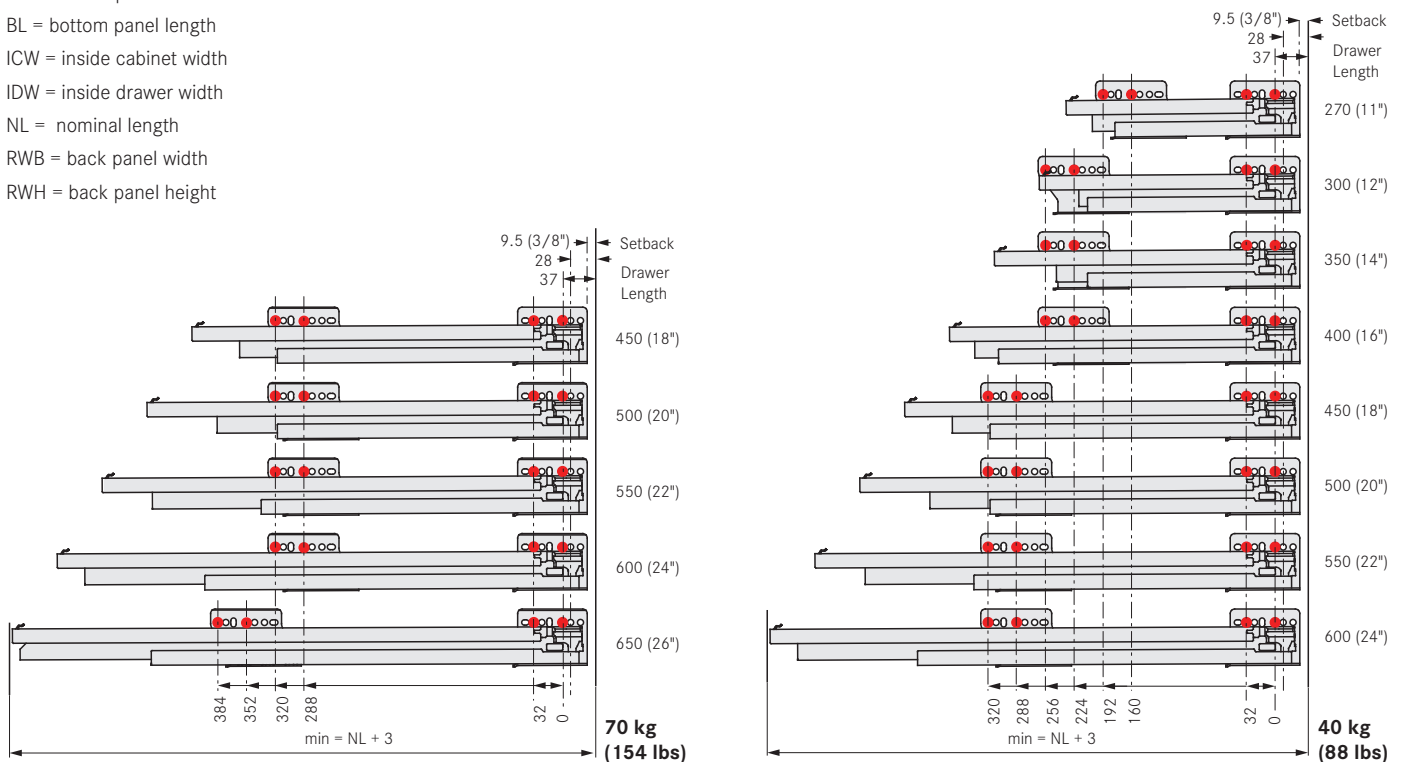


Note: Cutting dimensions for back and bottom based on 16mm material

- * Recommendation/Minimum dimension: Soft-Close: 203.5mm (8")
- * Recommendation/Minimum dimension: Tipmatic Soft-close: 212mm (8 3/8")
- * Recommendation/Minimum dimension: Soft-Close: 49.5mm (1 15/16")
- * Recommendation/Minimum dimension: Tipmatic Soft-close: 58mm (2 5/16")

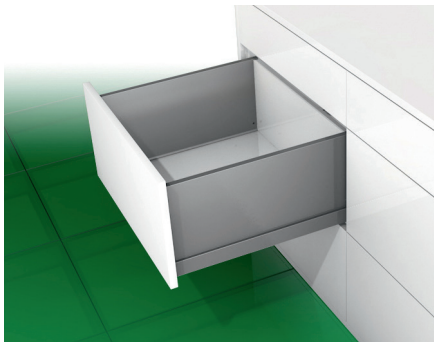
Cabinet Boring Specifications

- BB = bottom panel width
- BL = bottom panel length
- ICW = inside cabinet width
- IDW = inside drawer width
- NL = nominal length
- RWB = back panel width
- RWH = back panel height



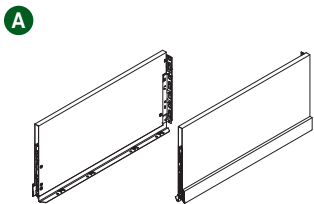
Nova Pro Scala, Deep Drawer

H250 Series - 250mm (9 13/16") side height drawer system



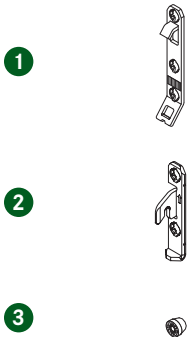
- Slim, deep drawer side
- High stability up to a front height of 780mm (30 11/16")
- Full extension for maximum access to drawer contents
- Integrated height and side adjustment
- Compatible with Tipmatic Soft-close
- Tool-free drawer front removal and installation
- Available load capacities: 88 lb (40kg) and 154 lb (70kg) dynamic
- Fully-synchronized slide technology
- Soft-close damping system

Drawer Member Set



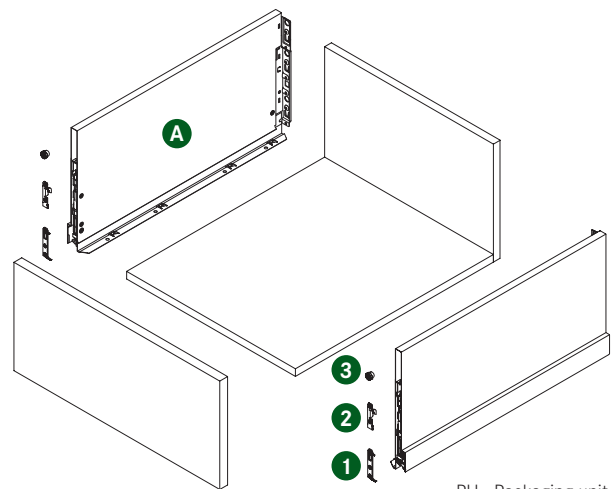
Description	Slide Length	Item No. Stone	Item No. Ice	Item No. Silver	PU
A Nova Pro Scala H250/400 Drawer Member Set	400 (16")	F100131037 207	F100131064 207	F100131091 207	5
Nova Pro Scala H250/450 Drawer Member Set	450 (18")	F100131040 207	F100131067 207	F100131094 207	5
Nova Pro Scala H250/500 Drawer Member Set	500 (20")	F100131043 207	F100131070 207	F100131097 207	5
Nova Pro Scala H250/550 Drawer Member Set	550 (22")	F100131046 207	F100131073 207	F100131100 207	5
Nova Pro Scala H250/600 Drawer Member Set	600 (24")	F100131049 207	F100131076 207	F100131103 207	5

Front Brackets



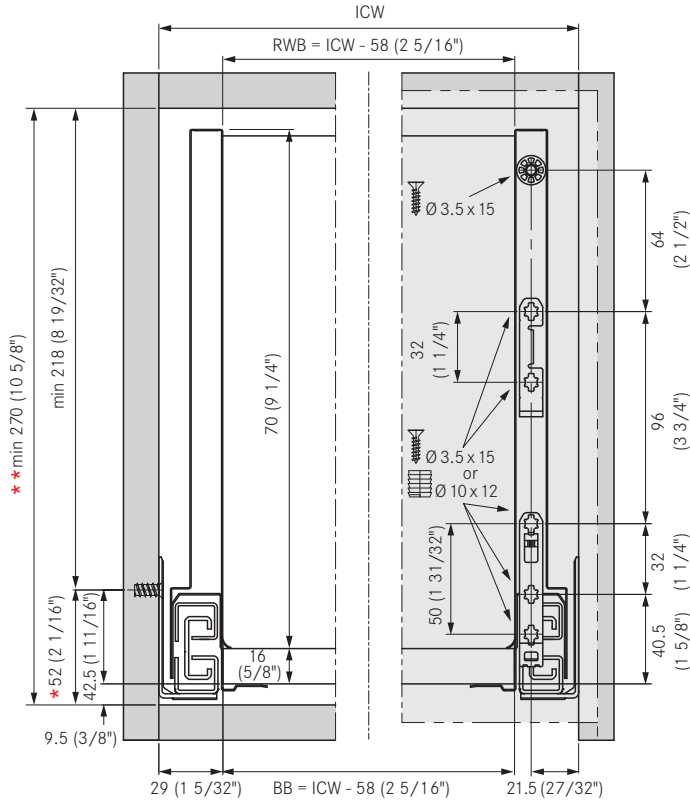
Description	Item No.	PU
1 Screw-on Bracket	F102021855 123	100
Dowelled Bracket, 10mm	F102021854 123	100
2 Screw-on Front Clip	F102104833 123	100
Dowelled Front Clip, 10mm	F102104834 123	100
3 Front Stabilizer	F102109564 123	100

Note: Two brackets are required per drawer



PU - Packaging unit

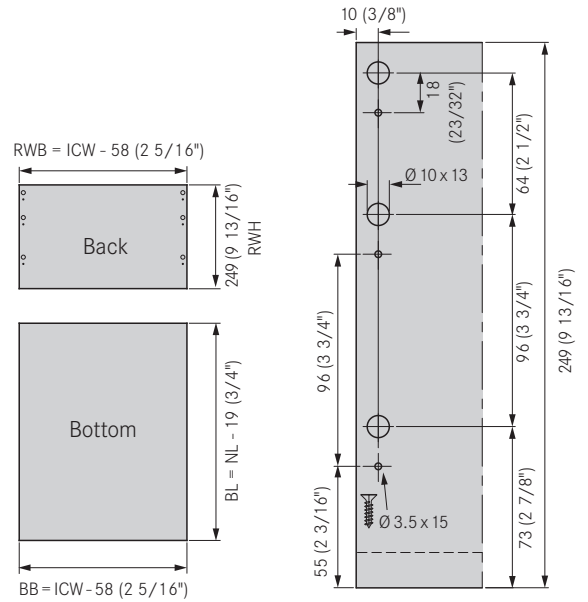
Drawer Installation Dimensions



** Recommendation/Minimum dimension: Soft-Close: 267.5mm (10 9/16")
 Tipmatic Soft-close: 276mm (10 7/8")

** Recommendation/Minimum dimension: Soft-Close: 49.5mm (1 15/16")
 Tipmatic Soft-close: 58mm (2 5/16")

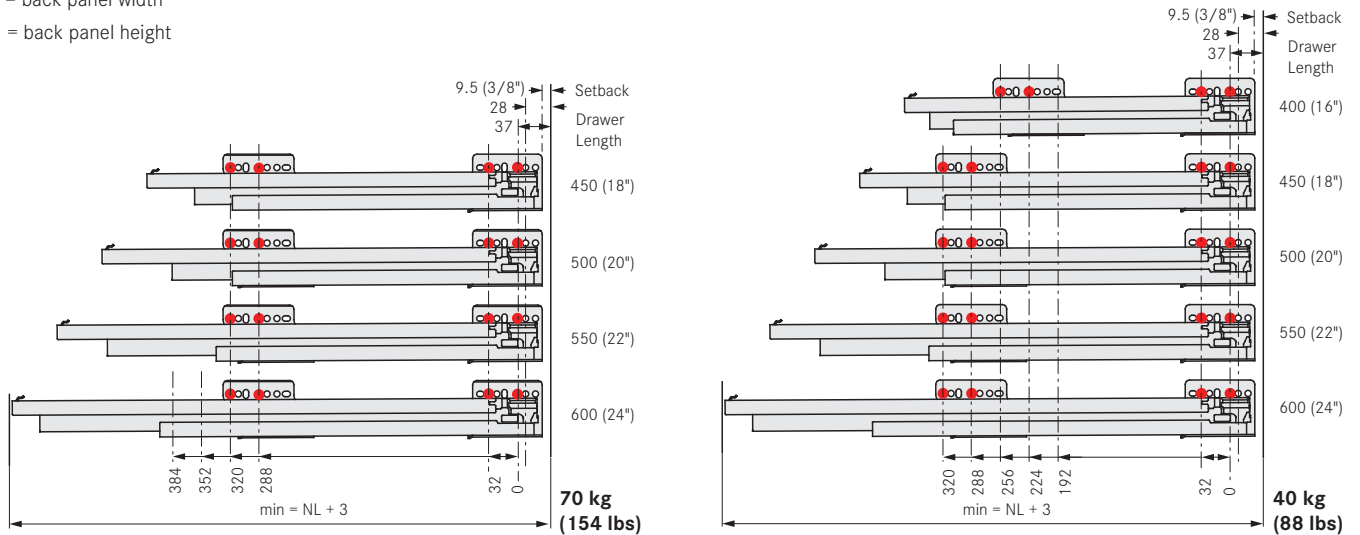
Drawer Back and Bottom Measurements



Note: Cutting dimensions for back and bottom based on 16mm material

Cabinet Boring Specifications

- BB = bottom panel width
- BL = bottom panel length
- ICW = inside cabinet width
- IDW = inside drawer width
- NL = nominal length
- RWB = back panel width
- RWH = back panel height



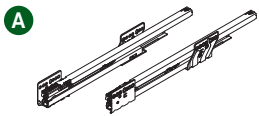
Nova Pro Scala, Cabinet Members, Soft-Close

Full extension slide 88/154 lb (40/70kg)

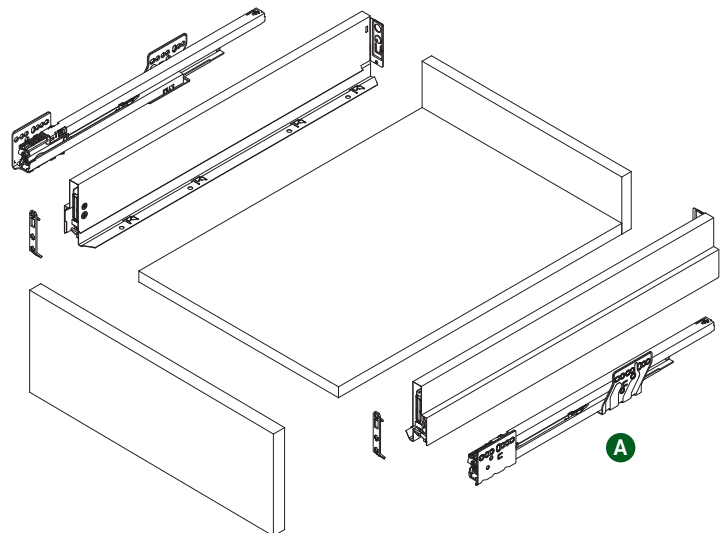


- The practical standard drawer slide for all applications
- Full extension for maximum access to drawer contents
- Available load capacities: 88 lb (40kg) and 154 lb (70kg) dynamic
- Fully-synchronized slide technology
- Soft-close damping system

Cabinet Member Set

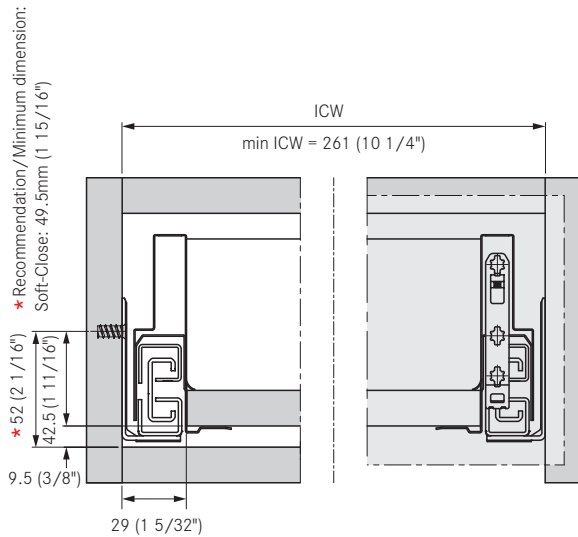


Description	Length	40kg (88 lb) capacity	70kg (154 lb) capacity	PU
A Nova Pro Scala Cabinet Member Set	270 (11")	F101108261507	-	5
Nova Pro Scala Cabinet Member Set	300 (12")	F101108264507	-	5
Nova Pro Scala Cabinet Member Set	350 (14")	F101108267507	-	5
Nova Pro Scala Cabinet Member Set	400 (16")	F101108270507	-	5
Nova Pro Scala Cabinet Member Set	450 (18")	F101108273507	F101108285507	5
Nova Pro Scala Cabinet Member Set	500 (20")	F101108276507	F101108288507	5
Nova Pro Scala Cabinet Member Set	550 (22")	F101108279507	F101108291507	5
Nova Pro Scala Cabinet Member Set	600 (24")	F101108282507	F101108294507	5
Nova Pro Scala Cabinet Member Set	650 (26")	-	F101108297507	5
Nova Pro Scala Cabinet Member Set	270 (11")	F101108261211	-	10
Nova Pro Scala Cabinet Member Set	300 (12")	F101108264211	-	10
Nova Pro Scala Cabinet Member Set	350 (14")	F101108267211	-	10
Nova Pro Scala Cabinet Member Set	400 (16")	F101108270211	-	10
Nova Pro Scala Cabinet Member Set	450 (18")	F101108273211	-	10
Nova Pro Scala Cabinet Member Set	500 (20")	F101108276211	-	10
Nova Pro Scala Cabinet Member Set	550 (22")	F101108279211	-	10
Nova Pro Scala Cabinet Member Set	600 (24")	F101108282211	-	10



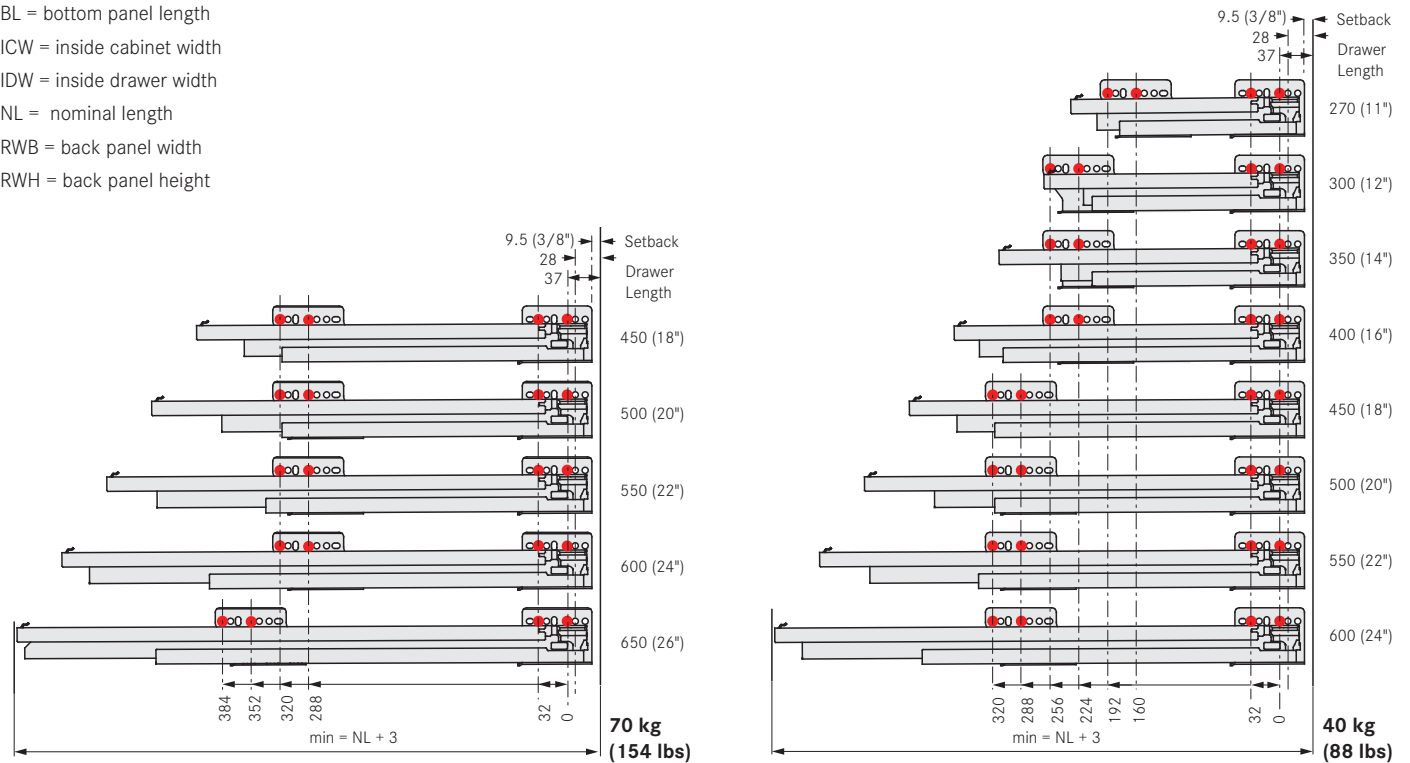
PU - Packaging unit

Drawer Installation Dimensions



Cabinet Boring Specifications

- BB = bottom panel width
- BL = bottom panel length
- ICW = inside cabinet width
- IDW = inside drawer width
- NL = nominal length
- RWB = back panel width
- RWH = back panel height



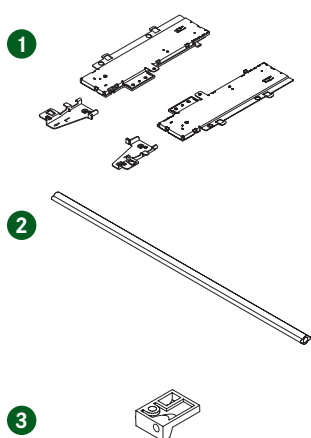
Nova Pro Scala Tipmatic Soft-close

Tipmatic full extension with soft-close action

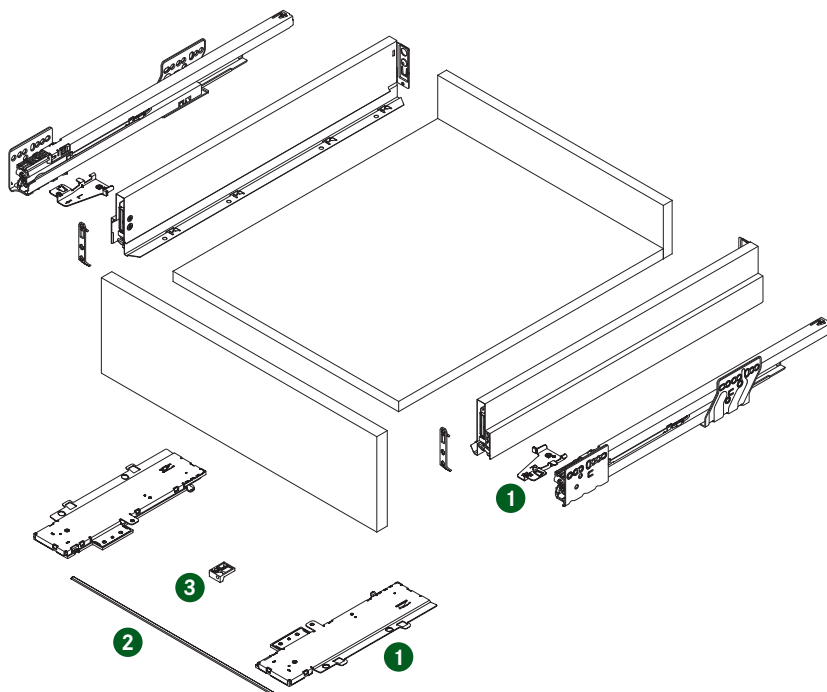


- Mechanical opening system for handle-free fronts
- Combines Tipmatic function with Soft-close damping
- Tool-free assembly of the Tipmatic Soft-close unit
- One unit for all Nova Pro Scala lengths and weight classes
- 3 tier adjustment for the opening force
- Wide activation zone due to synchronization bar

Tipmatic Soft-close

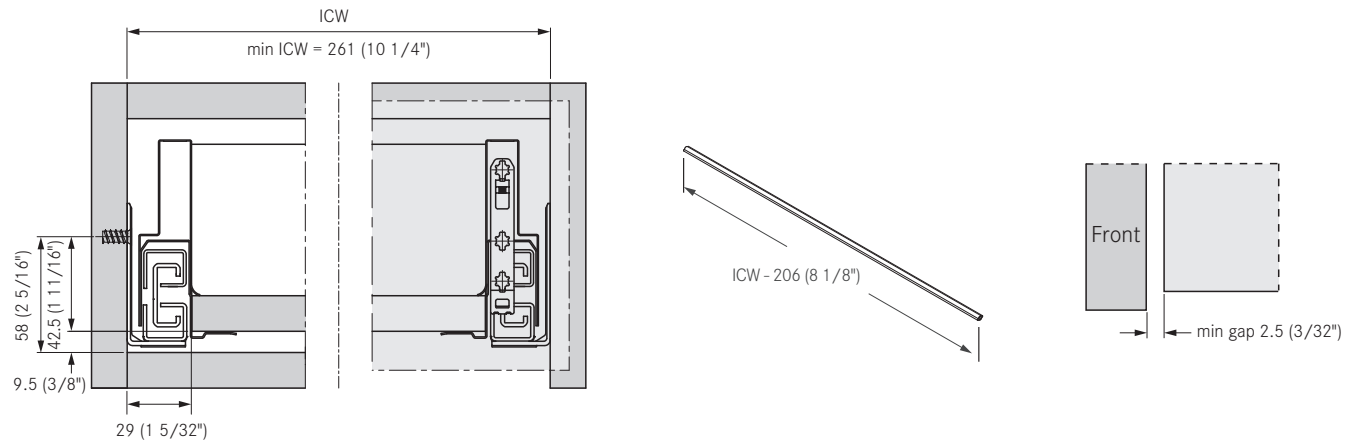


Description	Item No.	PU
(Must order separately)		
1 Tipmatic Soft-close set, unit and activator	F102109293607	10
2 Tipmatic synchronization bar - cut to length, 962mm (37 7/8")	F102109393207	10
3 Tipmatic synchronization bar support - Screw-on	F102108021207	10



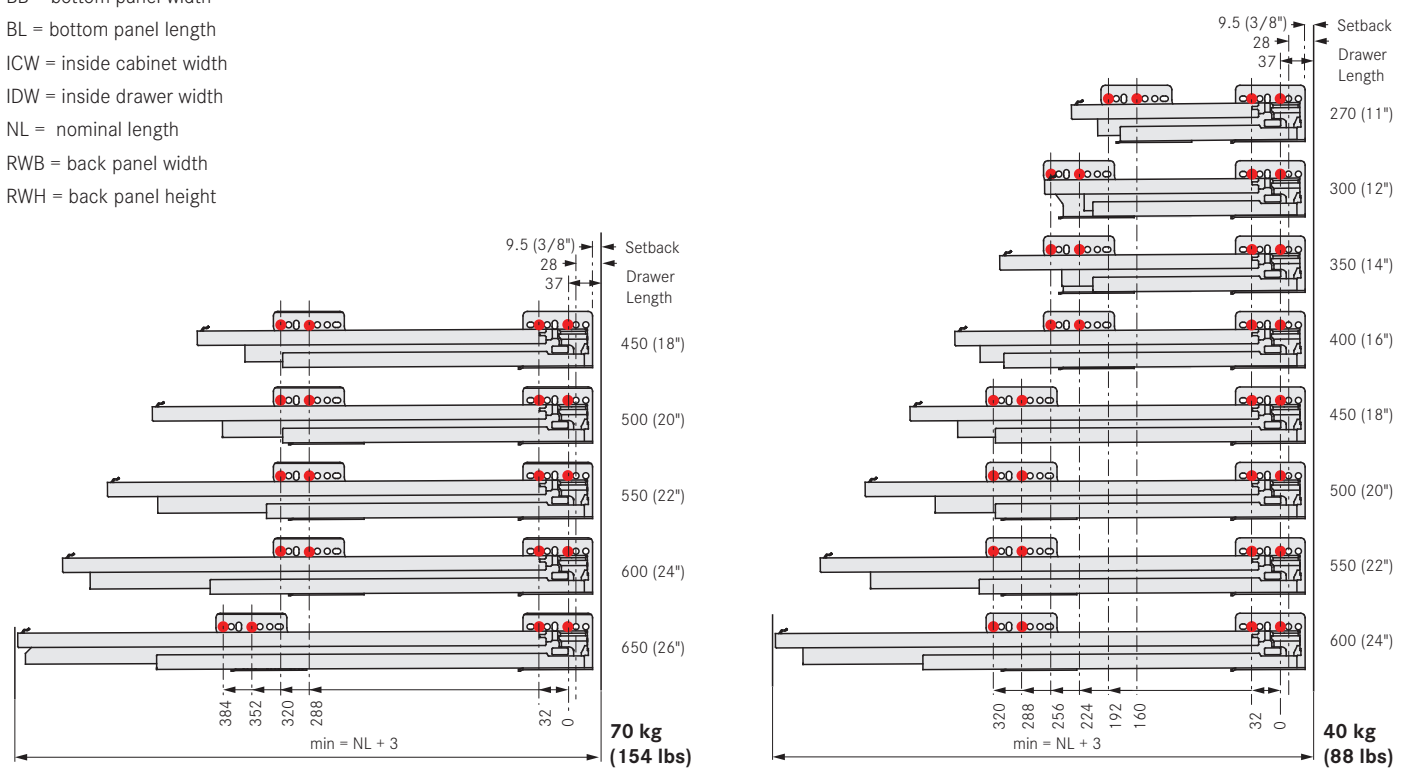
PU - Packaging unit

Drawer Installation Dimensions Synchronization Bar Minimum Front Gap

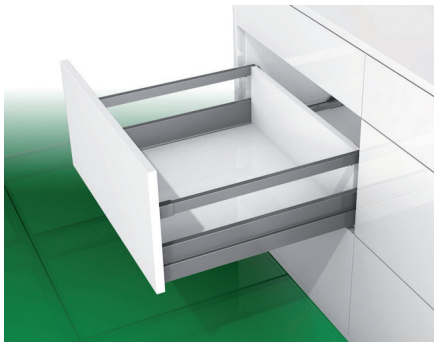


Cabinet Boring Specifications

- BB = bottom panel width
- BL = bottom panel length
- ICW = inside cabinet width
- IDW = inside drawer width
- NL = nominal length
- RWB = back panel width
- RWH = back panel height

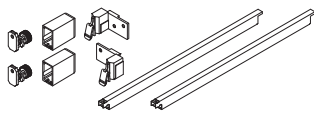


Nova Pro Scala Rectangular Railing



- Snug-fitting rectangular railing
- Flush-fitting back panel adapter
- Easy installation
- Easy tilt adjustment
- For use with Nova Pro Scala drawer sides
- Complete set packaging

Rectangular Railing Set

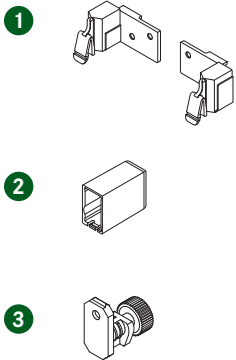


1 Set consists of:

- 2 Railings
- 2 Cover caps
- Railing bracket front left & right
- Railing bracket back left & right

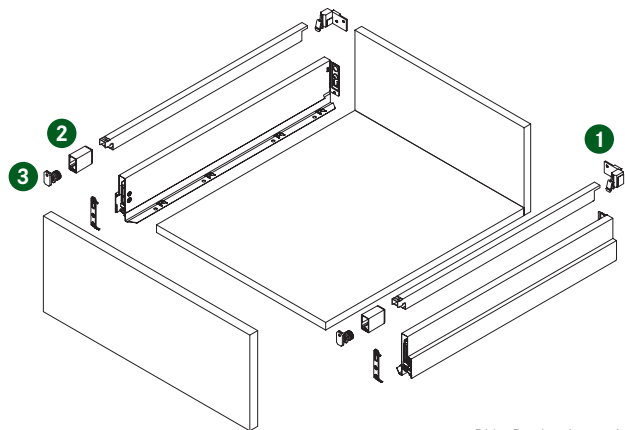
Description	Slide Length	Item No. Stone	Item No. Ice	Item No. Silver	PU
Nova Pro Scala 270 Railing Set	270 (11")	F102103516507	F102103525507	F102103534507	10
Nova Pro Scala 300 Railing Set	300 (12")	F102103517507	F102103526507	F102103535507	10
Nova Pro Scala 350 Railing Set	350 (14")	F102103518507	F102103527507	F102103536507	10
Nova Pro Scala 400 Railing Set	400 (16")	F102103519507	F102103528507	F102103537507	10
Nova Pro Scala 450 Railing Set	450 (18")	F102103520507	F102103529507	F102103538507	10
Nova Pro Scala 500 Railing Set	500 (20")	F102103521507	F102103530507	F102103539507	10
Nova Pro Scala 550 Railing Set	550 (22")	F102103522507	F102103531507	F102103540507	10
Nova Pro Scala 600 Railing Set	600 (24")	F102103523507	F102103532507	F102103541507	10
Nova Pro Scala 650 Railing Set	650 (26")	F102103524507	F102103533507	F102103542507	10

Rectangular Railing Components



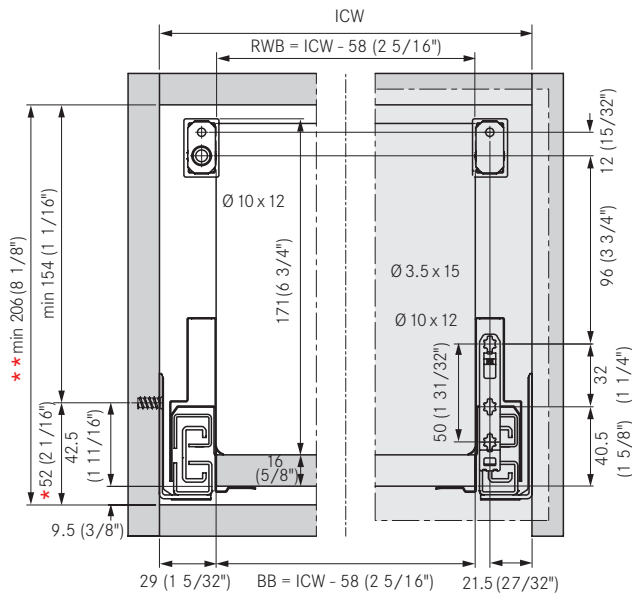
Description	Item No. Stone	Item No. Ice	Item No. Silver	PU
1 Railing Clip - back panel - Left	F102104670223	F102104681223	F102104692223	100
Railing Clip - back panel - Right	F102104671223	F102104682223	F102104693223	100
2 Railing cover cap	F102104676233	F102104687233	F102104698233	100

Description	Item No.	PU
3 Railing Clip - front panel - Screw-on	F102104668133	200
Railing Clip - front panel - Dowelled, 10mm	F102104669133	200



PU - Packaging unit

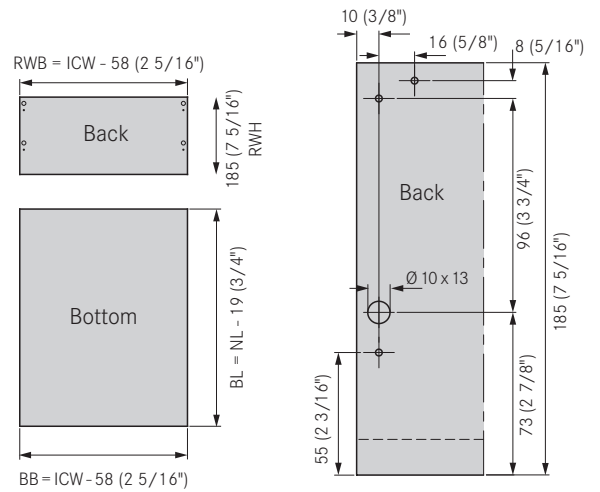
Drawer Installation Dimensions



** Recommendation/Minimum dimension: Soft-Close: 203.5mm (8")
 Tipmatic Soft-close: 212mm (8 3/8")

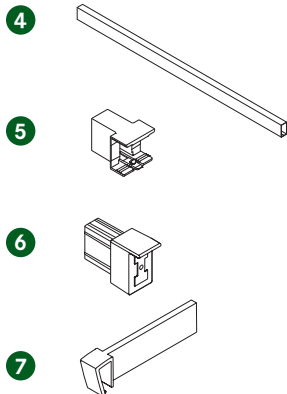
** Recommendation/Minimum dimension: Soft-Close: 49.5mm (1 15/16")
 Tipmatic Soft-close: 58mm (2 5/16")

Drawer Back and Bottom Measurements



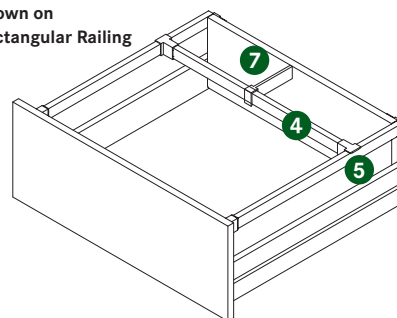
Note: Cutting dimensions for back and bottom based on 16mm material

Divider Railing Components for Rectangular Railing

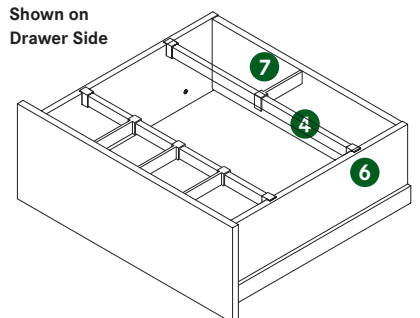


Description	Item No. Stone	Item No. Ice	Item No. Silver	PU
4 Divider Railing, can be cut to length - 1150mm (45 1/2")	F102108653207	F102108654207	F102108655207	100
5 Divider Railing Clip - for railing	F102104677233	F102104688233	F102104699233	100
6 Divider Railing Clip - for drawer side	F102108835233	F102108834233	F102108836233	100
7 Cross Divider for Railing	F102109962233	F102109963233	F102109964233	100

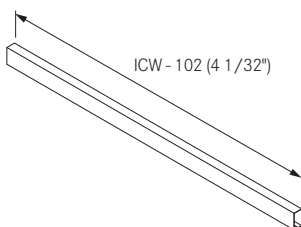
Shown on Rectangular Railing



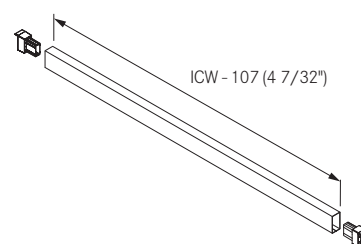
Shown on Drawer Side



Cutting Dimensions for Divider Railing on Rectangular Railing



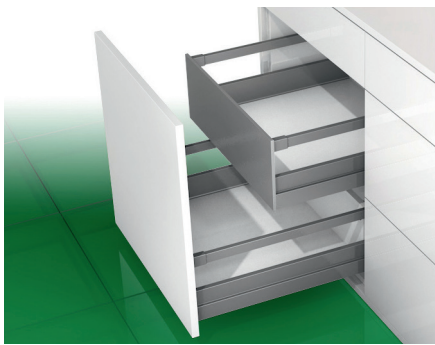
Cutting Dimensions for Divider Railing on Drawer Side



PU - Packaging unit

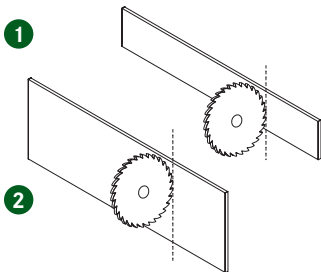
Nova Pro Scala Inset Drawer System

H90 or H186/H90 with railing



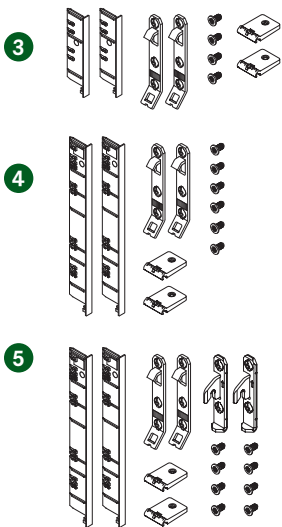
- Color-coordinated aluminum front panel profile
- 90mm (3 1/2") and 186mm (7 5/16") side heights

Inset Panels - Cut to Length



Description	Length	Item No. Stone	Item No. Ice	Item No. Silver	PU
1 Inset Panel H90	1160 (45 11/16")	F102101371511	F102105357511	F102105069511	20
2 Inset Panel H186 or H90 with railing	1160 (45 11/16")	F102101379507	F102105358507	F102105070507	10

Accessory Sets



Description	Item No. Stone	Item No. Ice	Item No. Silver	PU
3 Accessory set - Inset Panel H90	F102109510517	F102109511517	F102109512517	50
4 Accessory set - Inset Panel H90 with railing	F102109516517	F102109517517	F102109518517	50
5 Accessory set - Inset Panel H186	F102109513517	F102109514517	F102109515517	50

H90 Accessory Set consists of:

- 2 Cover Caps
- 2 Installation hooks
- 4 Special screws
- 2 front-bottom connectors

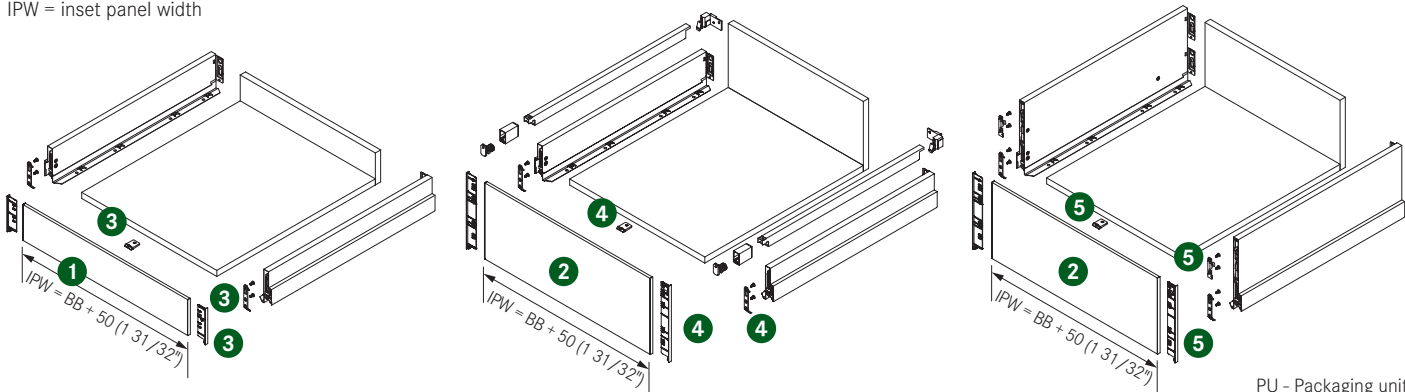
H186/H90 with Railing Accessory Set consists of:

- 2 Cover Caps
- 2 Installation hooks
- 2 Special screws
- 2 front-bottom connectors

H186 Set consists of:

- 2 Cover Caps
- 2 Installation hooks
- 2 Front Clips
- 8 Special screws
- 2 front-bottom connectors

BB = bottom panel width
IPW = inset panel width



PU - Packaging unit

Tavinea Optima

Dividing System for Nova Pro Scala



- Dividing system for Nova Pro Scala deep drawers
- Organizes storage space for better drawer utilization
- Tool-free and adjustable for a variety of storage space arrangements
- Can be retrofitted at any time
- Color-coordinated with the drawer side
- Tavinea Optima also works with Vionaro drawer system

Tavinea Optima Profile Clip



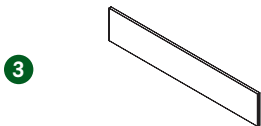
Description	Item No. Graphite/Stone	Item No. White/Ice	Item No. Silver Grey	PU
Profile Clip (Left or Right)	F007130228511	F007130229511	F007130230511	20

Tavinea Optima Smartboard



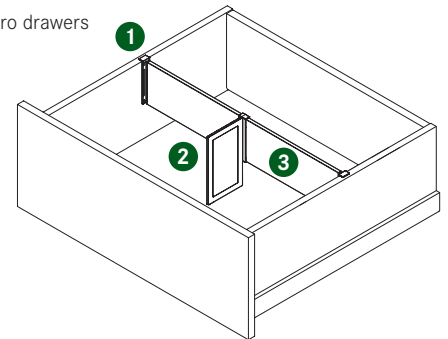
Description	Item No. Graphite/Stone	Item No. White/Ice	Item No. Silver Grey	PU
Smartboard	F007130245211	F007130246211	F007130247211	20

Tavinea Optima Divider, cut to length



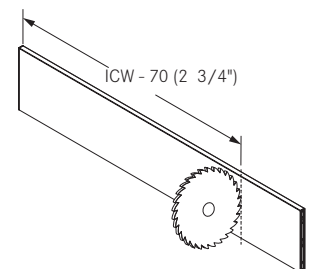
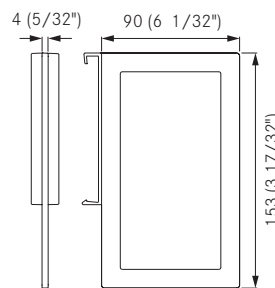
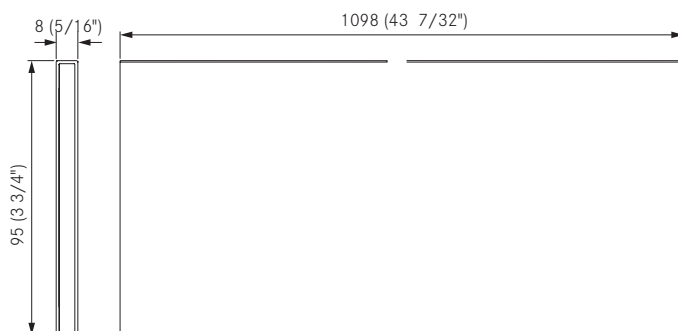
Description	Length	Item No. Stone	Item No. Ice	Item No. Silver	PU
Divider	1098 (43 7/32")	F007130234507	F007130235507	F007130236507	10

Note: Tavinea Optima colors coordinate with Nova Pro Scala and Vionaro drawers



Divider Dimensions

Cutting Dimensions of divider profile

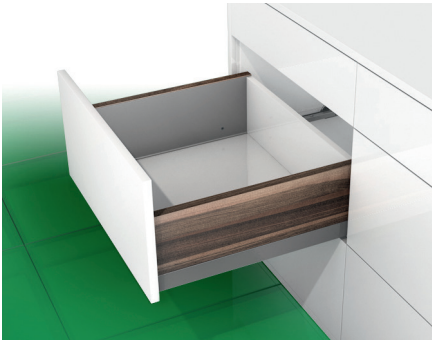


ICW = inside cabinet width

PU - Packaging unit

Nova Pro Scala, Designer Options

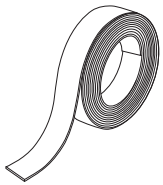
Magnetic Adhesive Tape for Panels



- Magnetic adhesive tape is used to affix custom designer panels onto Nova Pro Scala
- The designer panels are fitted with either magnetic tape or adhesive bonding
- Panels can be attached after the production process
- Tape Roll is 3/4" wide x 131' long

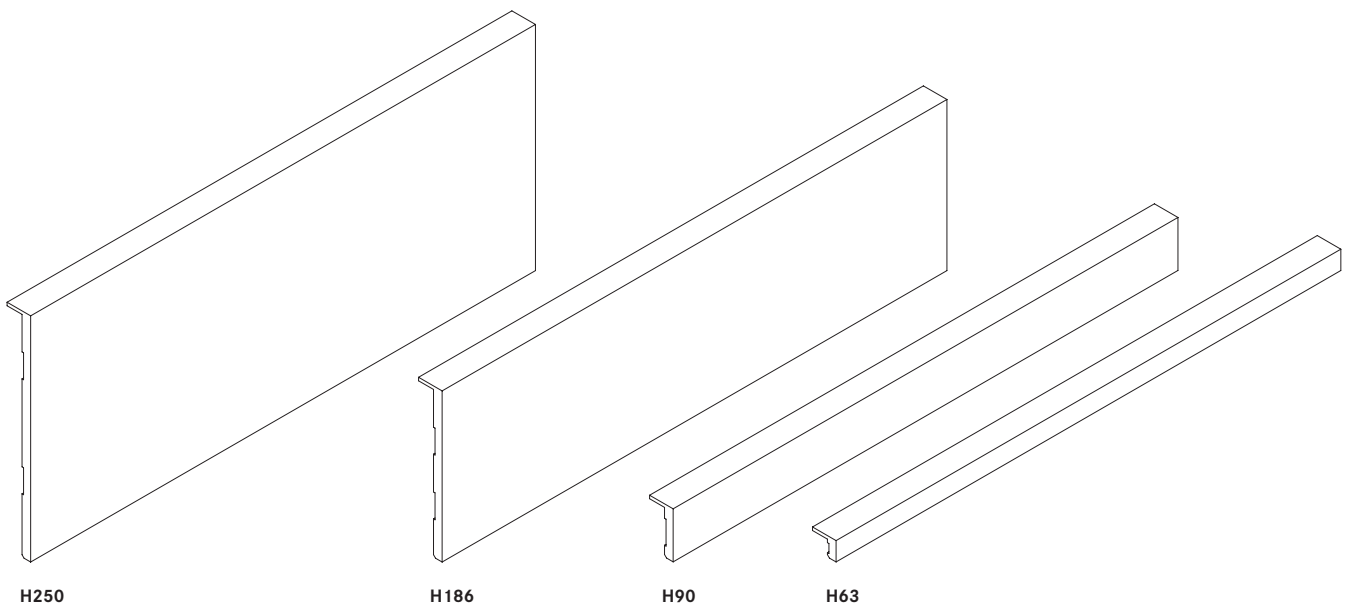
Note: Designer panels are not available from Grass

Designer Panel Magnetic Adhesive Tape



Description	Item No.	PU
Magnetic adhesive tape - Roll	F102108509501	1

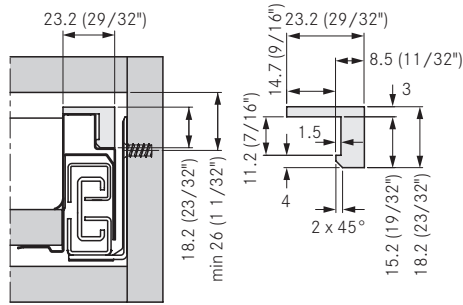
Note: For designer panel H63 the magnetic tape must be halved to 3/8" wide.



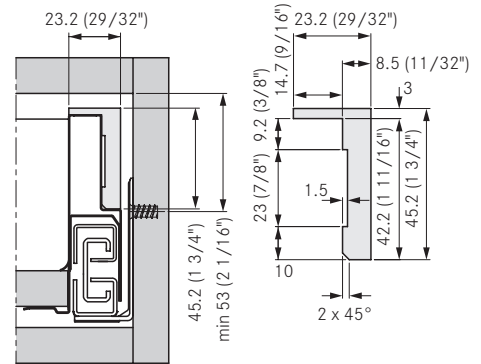
PU - Packaging unit

Designer Panel Installation Dimensions

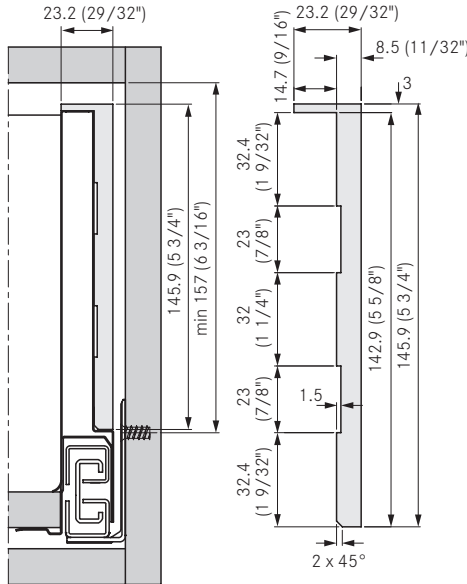
H63



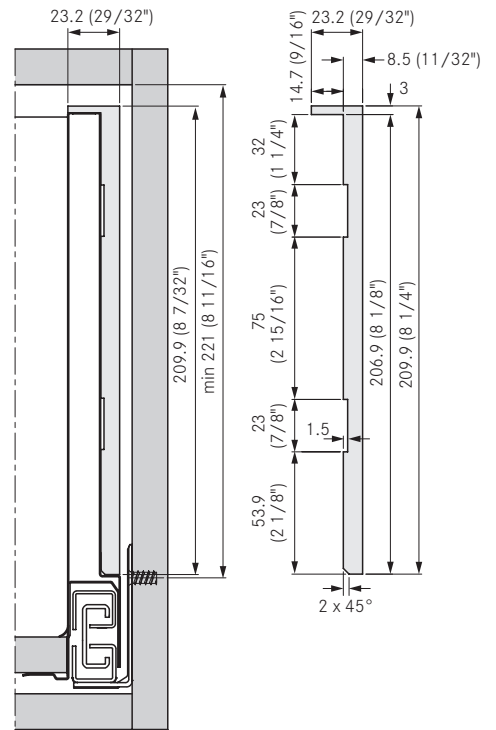
H90



H186



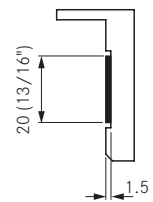
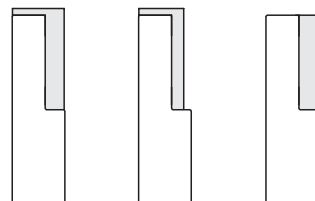
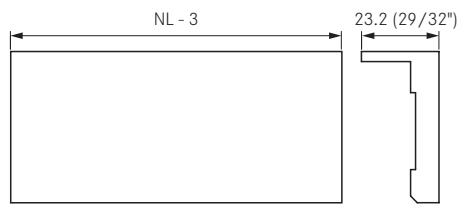
H250



Drawer Measurements

Design Options

Magnetic Tape



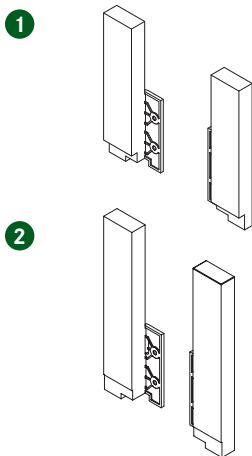
Nova Pro Scala, Sink Back Panel Holder

H90 with railing or H186

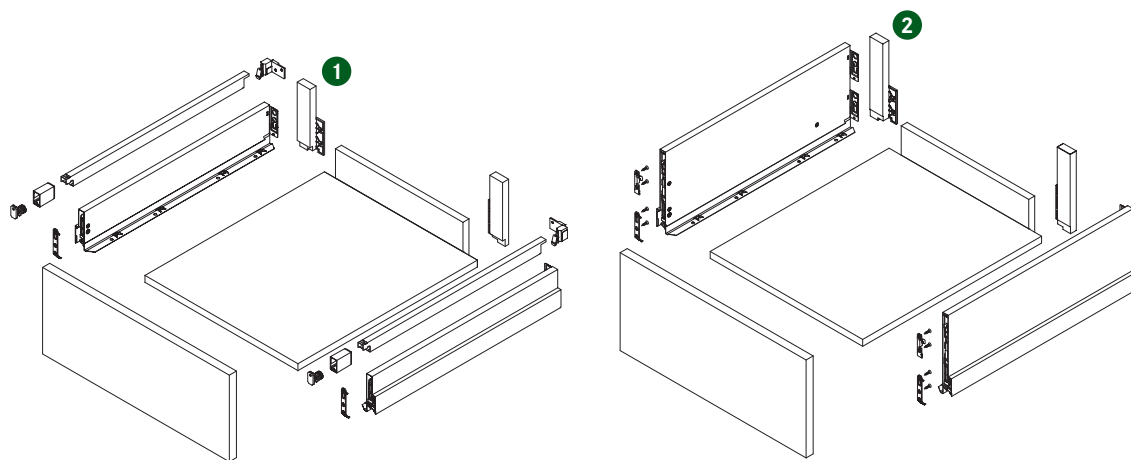


- Sink back panel holder for Nova Pro Scala H90 with rectangular railing and H186 drawer sides
- Easy and quick production of drawers
- Provides a trap cut-out using rectangular wooden back panel
- Color-coordinated with all Nova Pro Scala drawer sides

Sink Back Panel Holders



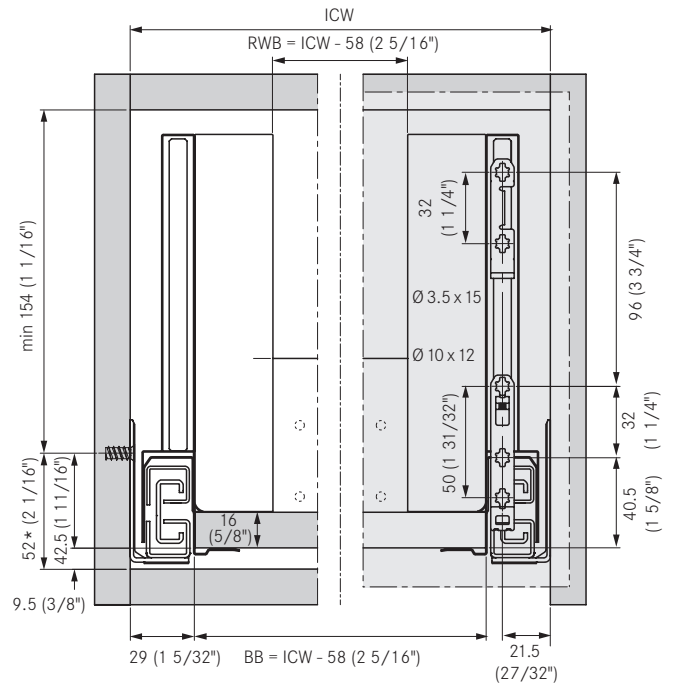
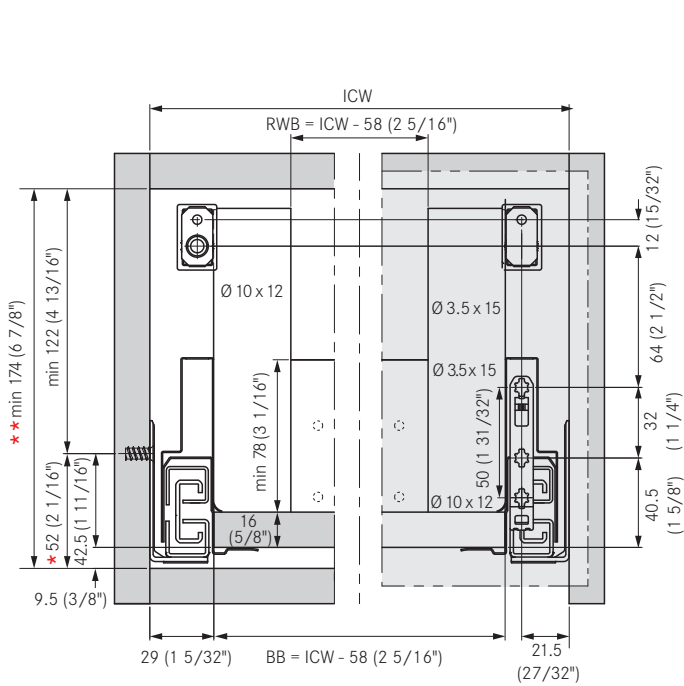
Description	Item No. Stone	Item No. Ice	Item No. Silver	PU
1 Sink back panel holder for H90 with railing - left	F102130601217	F102131199217	F102131201217	50
Sink back panel holder for H90 with railing - right	F102130602217	F102131200217	F102131202217	50
2 Sink back panel holder for H186 - set	F102131004507	F102131006507	F102131005507	10



PU - Packaging unit

H90 with Railing Front Installation Dimensions

H186 Front Installation Dimensions



**** Recommendation/Minimum dimension:**
 Soft-Close: 171.5mm (6 3/4")
 Tipmatic Soft-close: 180mm (7 1/16")

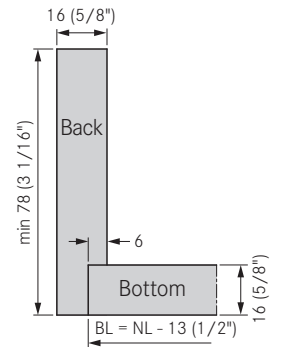
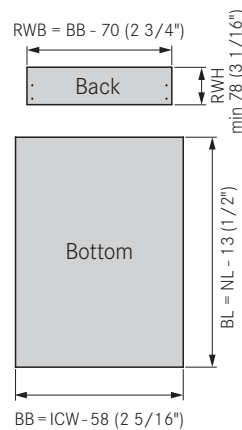
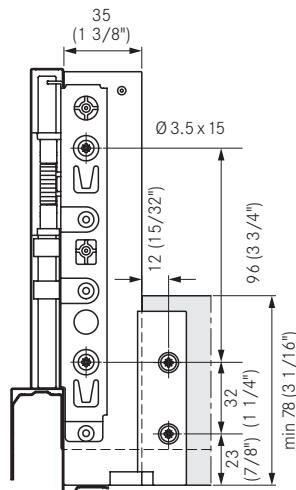
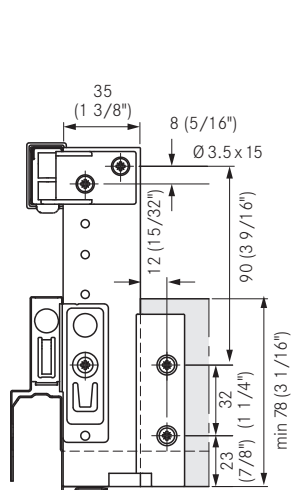
*** Recommendation/Minimum dimension:**
 Soft-Close: 49.5mm (1 15/16")
 Tipmatic Soft-close: 58mm (2 5/16")

Back Panel H90 Dimensions

Back Panel H186 Dimensions

Back Bottom Dimensions

Back Panel Rebate application



Accessories

Nova Pro Scala

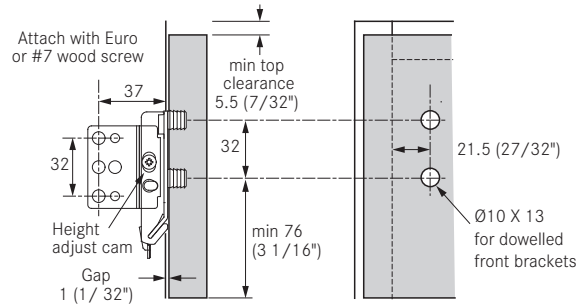
Blind Panel Snap-on Bracket



- For mounting blind panels to the cabinet side
- Snap-on quick mounting and removal of the front
- Side adjustment +/- 1.5 mm
- Height adjustment +/- 2 mm
- Depth adjustment +/- 1.5 mm
- Uses Nova Pro Front brackets, screw-on or dowelled (order separately)

Note: If a cross rail beneath the false front is used, clearance for release triggers must be provided.

Description	Item No.	PU
Blind Panel Snap-on Bracket	F102108430217	50

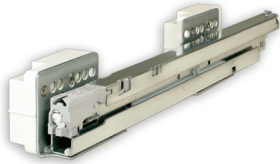


Cabinet Member Spacer

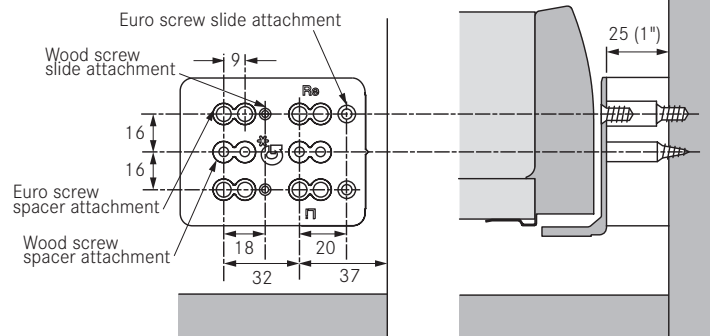


Used to space slides away from the cabinet sides for interior drawer applications.

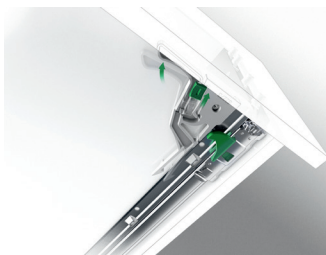
- Thickness 25 mm (1")
- Universal, non-handed
- Can be mounted with Euro or wood screws
- Use (2) per side



Description	Item No.	PU
Nova Pro Spacer - White	F102062616211	20
Nova Pro Spacer - Stone	F102131359211	20



Child Lock



When the child lock is activated the drawer opening is limited to a small gap. By releasing the lock's lever the drawer opens fully.

- Use of the drawer storage space is unrestricted
- Can also be retrofitted
- Can be deactivated without tools
- Unit is fitted to the bottom panel and it can be used with all Nova Pro Scala add-on systems

Description	Item No.	PU
Nova Pro Scala Child Lock	F102108857523	100

Note: Cannot be used in combination with Tipmatic Soft-close

PU - Packaging unit

Accessories

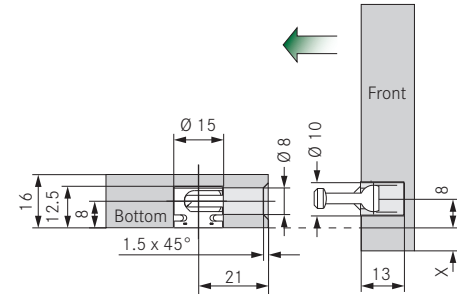
Nova Pro Scala

Front-Bottom Connector



For wide drawers with a cabinet width of over 800 mm.

Description	Item No.	PU
Front-Bottom Connector	F148026744107	10

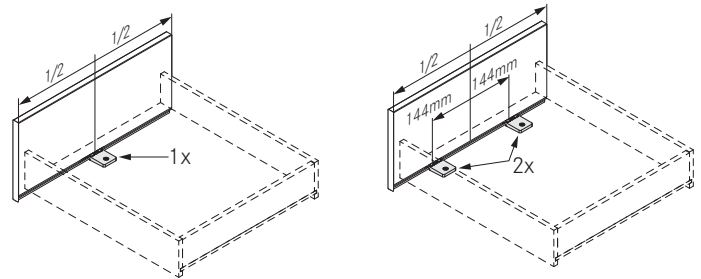


Front-Bottom Connector for Inset Panel

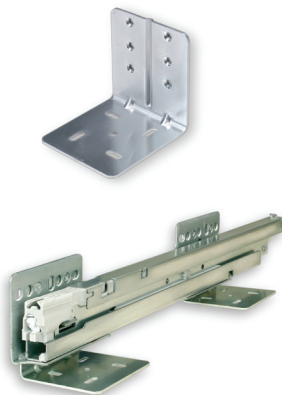


For wide drawers with a cabinet width of over 600 mm.

Description	Item No.	PU
Front-Bottom Connector for Inset Panel	F145117993223	200



Interior Drawer Bracket Kit

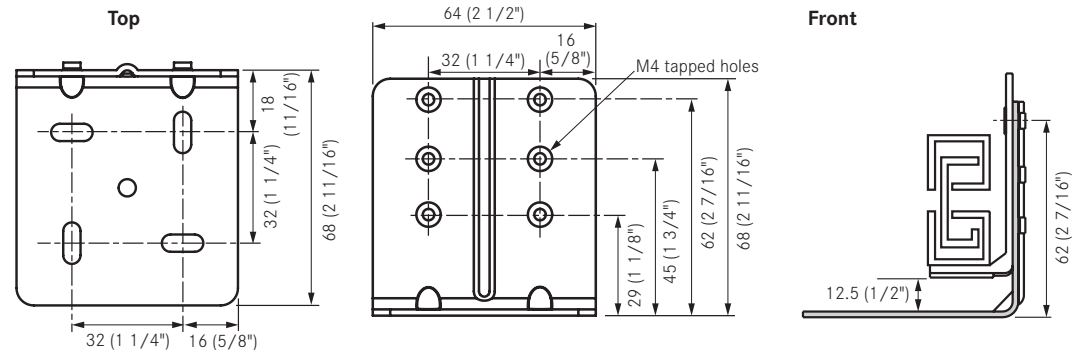


Used to mount slides to a cabinet bottom or shelf for interior roll out trays.

Description	Item No.	PU
Interior drawer bracket	00443-40	25

Kit consists of:

- 4 non-handed zinc plated steel brackets
- 8 M4 screws to attach slides to brackets
- 8 #8 x 5/8" truss head screws to mount brackets to cabinet

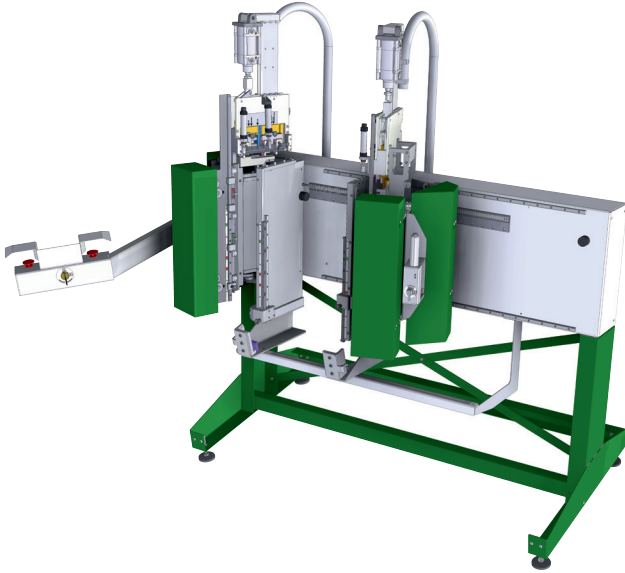


PU - Packaging unit

Machinery

Tecmator for Nova Pro Scala

Tecmator ZP-N-E2



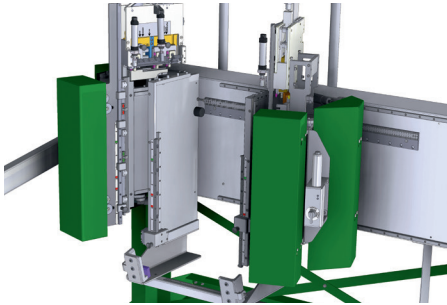
- Nova Pro Scala drawers can be assembled in 10 seconds
- Suitable for assembling Nova Pro Scala drawers – without having to change the press-in brackets
- Suitable for assembling wooden back panels
- Can be used to assemble wooden back panels with Nova Pro Scala H250 (3 dowels)
- Easy handling of parts on the machine
- Sturdy frame construction
- Any drawer width up to 1200 mm can be selected
- Flexible adjustment of the drawer width using the wooden back panel template (as standard or can also be retrofitted)
- The width is easily adjustable using pneumatic clamping
- Fast operating sequences

Standard equipment:

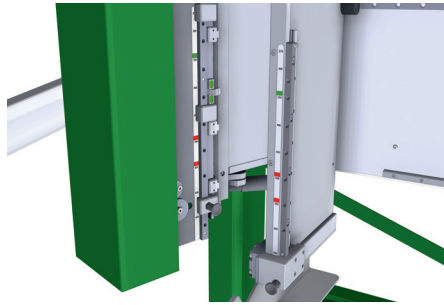
- Bottom claw pressing for all nominal lengths
- Stop set for KB 250 – 1200 (50 mm increments)
- Stops for four wooden back panel heights

Description	Item No.	PU
Tecmator ZP-N-E2, type 1.2 m	F146131003299	1

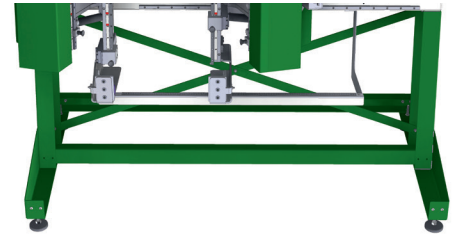
Tecmator Features



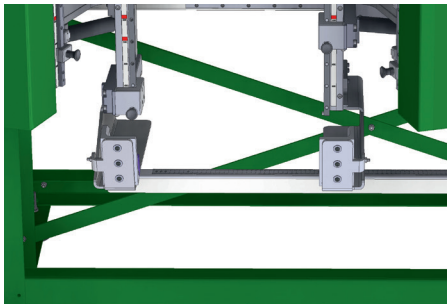
Easy width adjustment due to pneumatic clamping



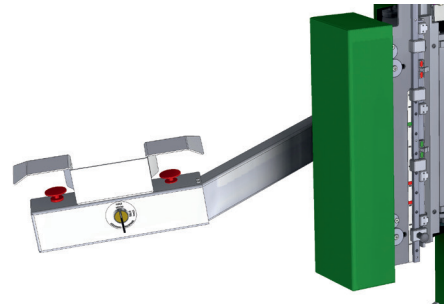
The individual components of the machine can be easily handled



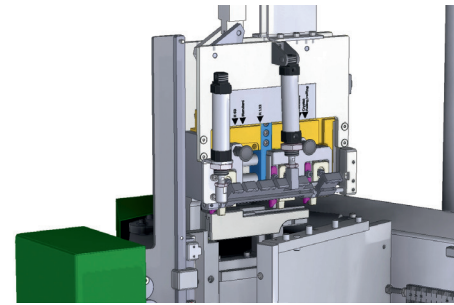
The frame structure ensures excellent stability



Customized KB settings possible via the wooden back panel



Maximum safety based on two-handed switching



Press aggregate for wooden back panels up to H250 with up to 3 dowels per side

PU - Packaging unit

Assembly Aids

Nova Pro Scala

Marking Jig Set



For exact marking of the drill holes for the Nova Pro Scala front brackets.

Description	Item No.	PU
Nova Pro Scala H63	F146094036513	1
Nova Pro Scala H90	F146092050513	1
Nova Pro Scala H186/H250	F146101908513	1

Front Drilling Jig



Front drilling jig for Nova Pro Scala front fastening, railing and add-on systems:

- Can be used for drilling drawer sides of all heights
- High-quality aluminum construction

Description	Item No.	PU
Front Drilling jig	F146130983201	1

Punch-In Tool for Front Brackets



Position and install the front brackets for the Nova Pro Scala H63, H90, and H186.

Description	Item No.	PU
Nova Pro Scala H63	F146094035501	1
Nova Pro Scala H90/H186	F146091555501	1

Punch-In Tool for Front Clip



Position and install the front clip for Nova Pro Scala H186.

Description	Item No.	PU
Punch-in tool for front clip	F146102472101	1

Punch-In Tool for Front-Bottom Connector



Position and install the front-bottom connector.

Description	Item No.	PU
Punch-in tool for front-bottom connector	F146083271101	1

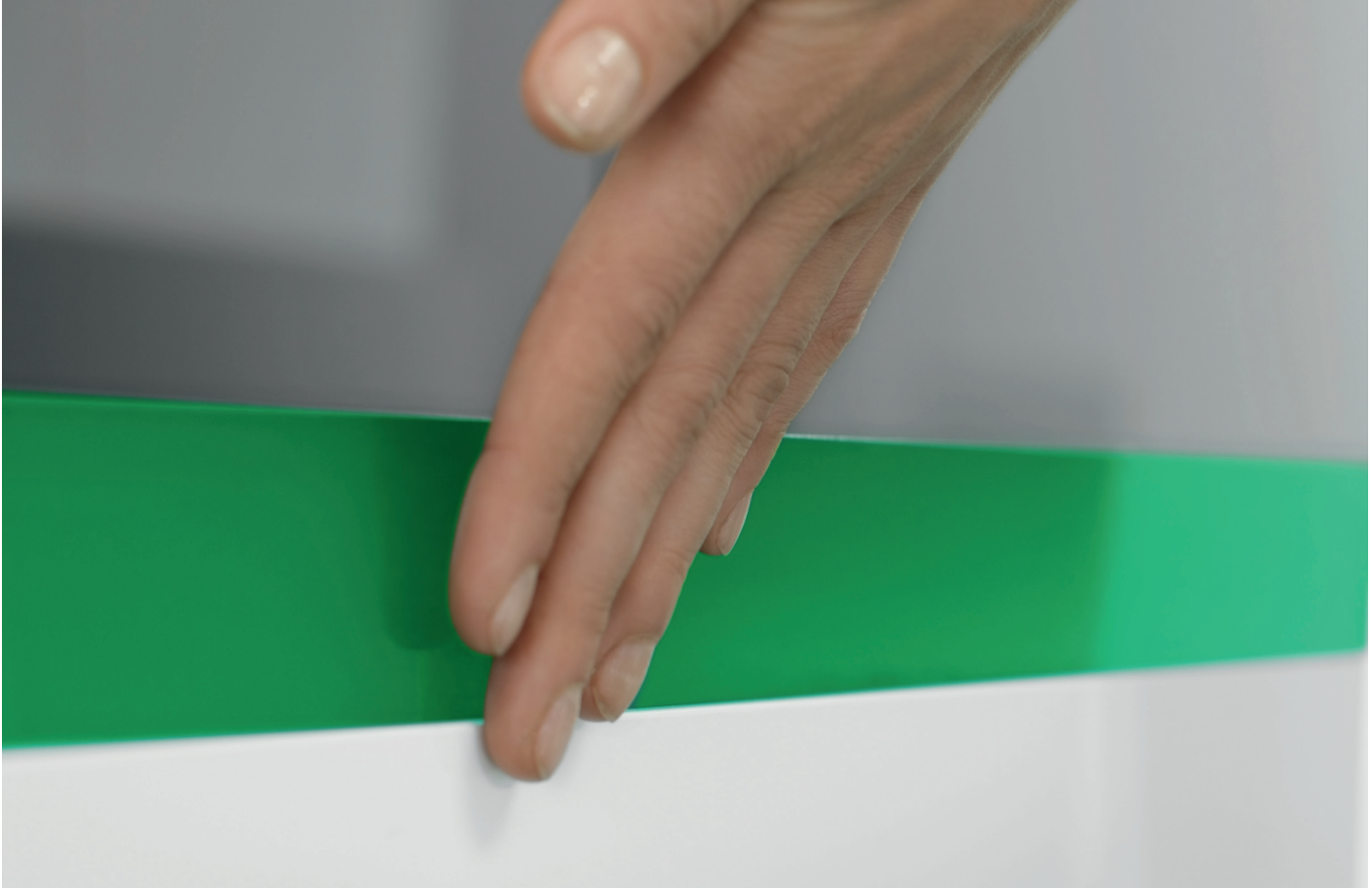
Insertion Die for Dowelled Front Brackets



- For use with Nova Pro Scala Front Brackets
- Works with Grass Ecopress machine

Description	Item No.	PU
Insertion Die for dowelled front brackets	94488-01	1

PU - Packaging unit



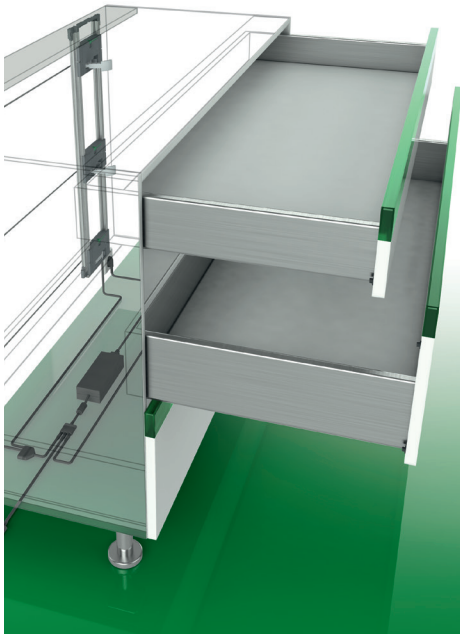
Sensomatic combines handle-free opening with the ever popular Soft-closing action

Just tap anywhere on the drawer front and the drawer opens automatically.

The Sensomatic is an electro-mechanical opening system that works with the Nova Pro Scala Drawer system. A simple installation process creates a superior drawer system.



Versatile. Efficient. Exciting.
 Sensomatic combines handle-free
 opening with the ever popular
 Soft-closing action.
 Fully automatic, electrically powered.



SENSOMATIC OPENING SYSTEM

Sensomatic, an electro-mechanical opening system that can be activated by a light touch anywhere on the surface of the drawer front. At the touch, the drawers glide open in one smooth motion.

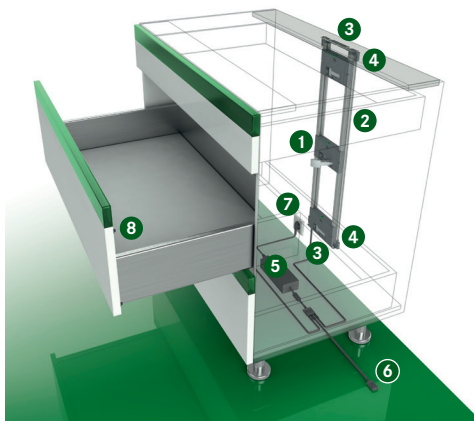
A simple installation process creates a superior drawer system. The action is steady, precise and ingenious. The perfect movement for today's functional requirements.

Sensomatic is extremely efficient in regard to power consumption and occupied space. The Sensomatic needs only one drive unit for cabinet widths up to 48" (1219mm) regardless of the weight. Accessories such as wire baskets, trash can receptacles, or roll out trays can be fitted with the Sensomatic system without modification. It has never been easier to open a drawer and - never easier to close a drawer.

Sensomatic together with Soft-close offers all the advantages of handle free opening with the elegance and functionality of a soft-closing action. These functions together guarantee your operating convenience at the highest level.

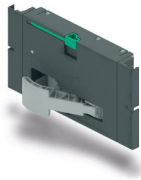
Sensomatic for Nova Pro Scala

Standard cabinet with horizontal wooden stretcher



- Electro-mechanical opening system
- Sensomatic works with any Nova Pro Scala drawer design
- Activated by a light touch anywhere on the drawer front
- One drive unit for cabinets widths up to 48" (1219mm)
- Soft-closing action pulls the drawer closed
- Ideal for accessories such as wire baskets, waste bins, or roll-out trays
- Full extension for maximum access to drawer contents

1 Opening Unit



	Item No.	PU
For Nova Pro Scala	F121100268607	10

PU - 10 Pieces, individually packaged

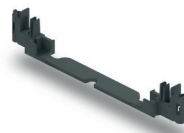
2 Frame Sides, Including Frame Side Cable



Length	Item No.	PU
750mm	F121100285207	10
1170mm	F121100286207	10

PU - 10 Pairs

3 Frame Connector



	Item No.	PU
Frame connector	F121100282211	20

4 Fixing Bracket



	Item No.	PU
Fixing bracket	F121100270211	1

5 Power Supply Unit



	Item No.	PU
Power supply unit	F121100269607	10

PU = 10 pieces, individually packaged

One power supply operates up to 30 opening units

6 Connection Cable with 2-way-adapter



Length	Item No.	PU
1000mm	F121100289207	10
1600mm	F121100290207	10
2000mm	F121100291207	10

7 Power Cord, 1.8 m (6')



Type of plug	Item No.	PU
Power cord (USA, CA)	F120069760207	10

8 Spring-loaded Front Bumper

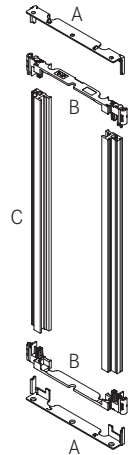
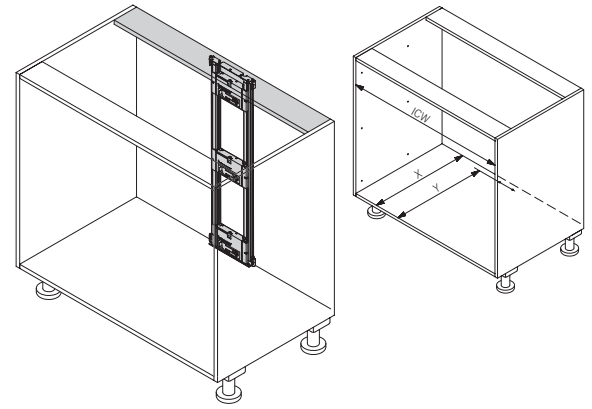
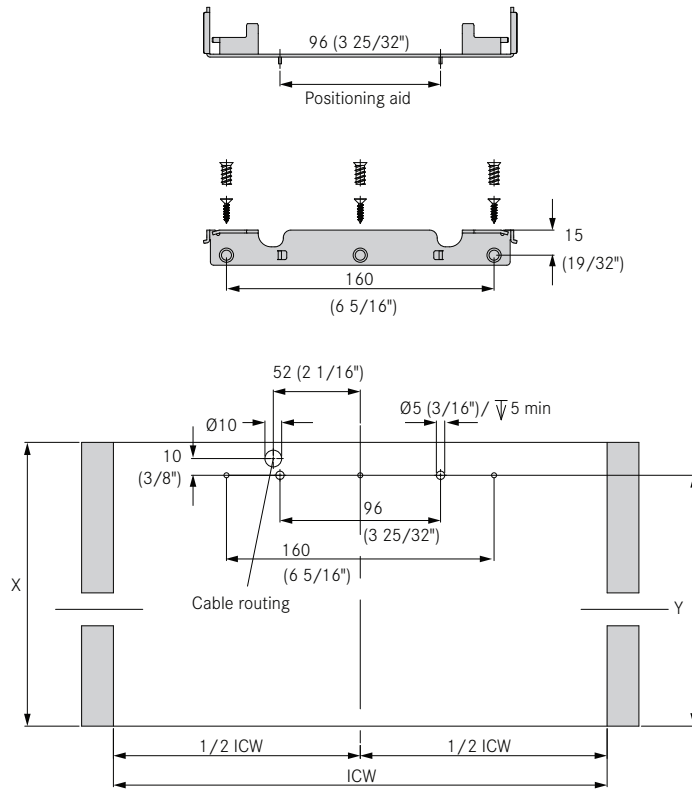


Ø 5mm	Item No.	PU
Front gap 2.2mm	F121100294223	100
Front gap 3mm	F121100295223	100

PU - Packaging unit

Mounting Dimensions

Fixing brackets positioned at top and bottom



Mounting dimensions Nova Pro Scala	X	Y	Min ICW
Wood back panel + 3mm bumper	NL + 20 (25/32")	NL + 5 (3/16")	262 (10 5/16")
Wood back panel + 2.2mm bumper	NL + 21 (13/16")	NL + 6 (1/4")	262 (10 5/16")

Legend

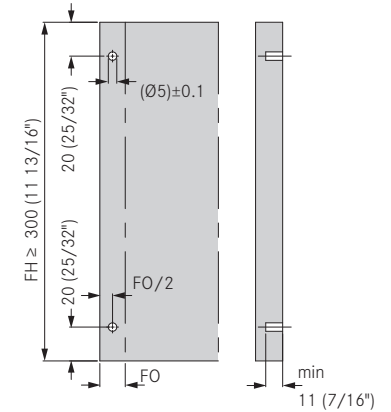
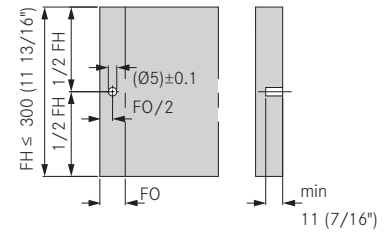
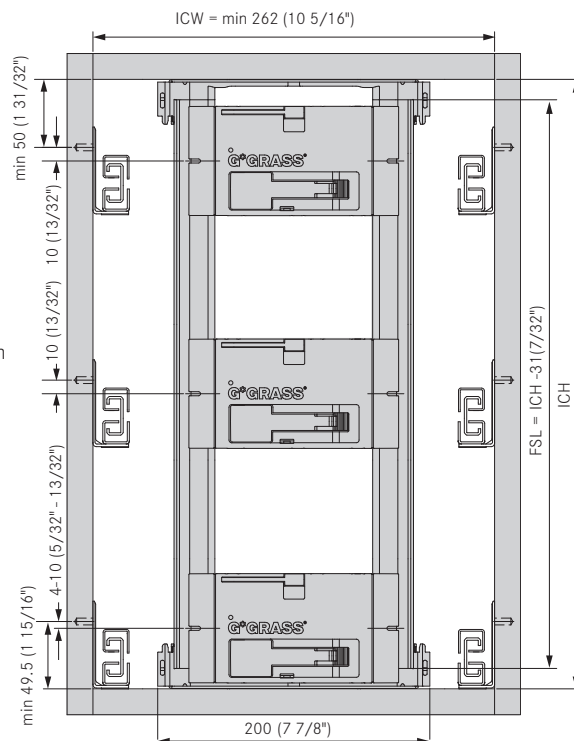
Position of Opening Unit for Nova Pro Scala

Position of Front Bumper

- A = fixing bracket used at top and bottom
- B = frame connector
- C = frame sides
- ICW = inside cabinet width
- NL = nominal length of cabinet slide
- X = min installation depth
- Y = depth of hole pattern

- FSL = frame side length
- ICH = inside cabinet height

- FH = front height
- FO = front overlay

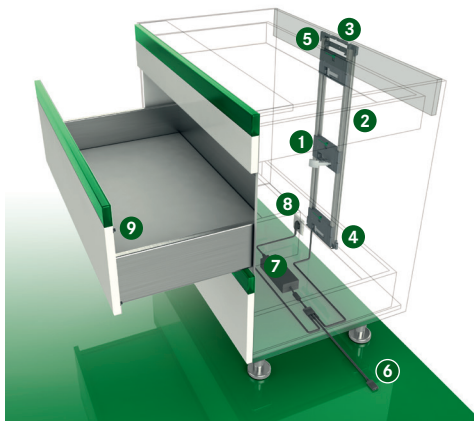


When mounting the heavy-duty slide (154 lb), it is necessary to insert 4 front bumpers into the drawer front.

Do not drive in or glue front bumpers

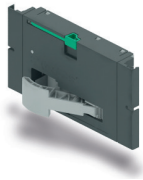
Sensomatic for Nova Pro Scala

Standard cabinet with vertical wooden stretcher



- Electro-mechanical opening system
- Sensomatic works with any Nova Pro Scala drawer design
- Activated by a light touch anywhere on the drawer front
- One drive unit for cabinets widths up to 48" (1219mm)
- Full extension for maximum access to drawer contents
- Soft-closing action pulls the drawer closed
- Ideal for accessories such as wire baskets, waste bins, or roll-out trays

1 Opening Unit



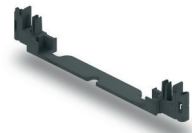
	Item No.	PU
For Nova Pro Scala	F121100268607	10
PU - 10 Pieces, individually packaged		

2 Frame Sides, including Frame Side Cable



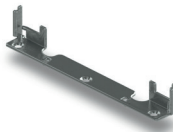
Length	Item No.	PU
750mm	F121100285207	10
1170mm	F121100286207	10
PU - 10 Pairs		

3 Frame Connector



	Item No.	PU
Frame connector	F121100282211	20

4 Fixing Bracket



	Item No.	PU
Fixing bracket	F121100270211	1

5 Rear-mount Fixing Brackets



	Item No.	PU
Flush mount	F121100275207	10

6 Connection Cable with 2-way-adaptor



Length	Item No.	PU
1000mm	F121100289207	10
1600mm	F121100290207	10
2000mm	F121100291207	10

7 Power Supply Unit



	Item No.	PU
Power supply unit	F121100269607	10
PU = 10 pieces, individually packaged		
One power supply operates up to 30 opening units		

8 Power Cord, 1.8 m (6')



Type of plug	Item No.	PU
Power cord (USA, CA)	F120069760207	10

9 Spring-loaded Front Bumper

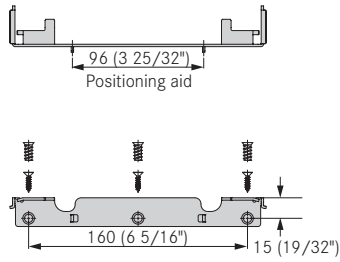


Ø 5mm	Item No.	PU
Front gap 2.2mm	F121100294223	100
Front gap 3mm	F121100295223	100

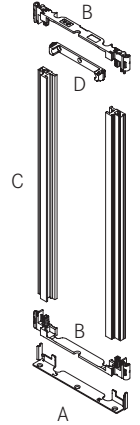
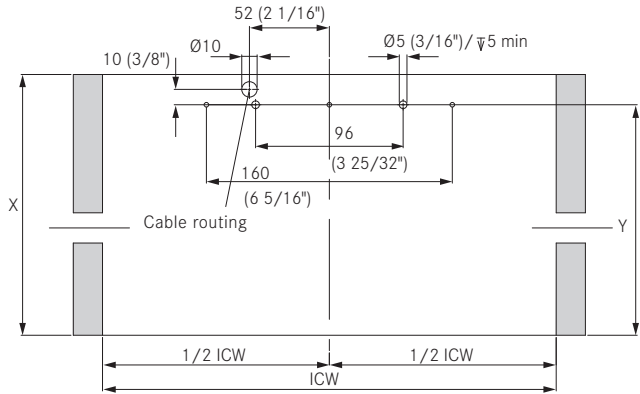
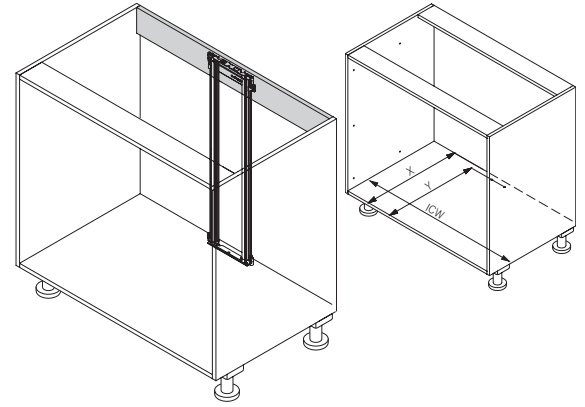
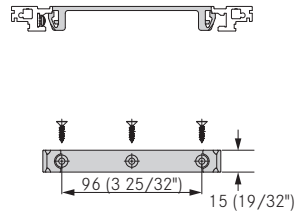
PU - Packaging unit

Mounting Dimensions

Fixing bracket positioned at bottom



Rear-mount fixing bracket (flush mount)



Mounting dimensions Nova Pro Scala	X	Y	Min ICW
Wood back panel + 3mm bumper	NL + 20 (25/32")	NL + 5 (3/16")	262 (10 5/16")
Wood back panel + 2.2mm bumper	NL + 21 (13/16")	NL + 6 (1/4")	262 (10 5/16")

Legend

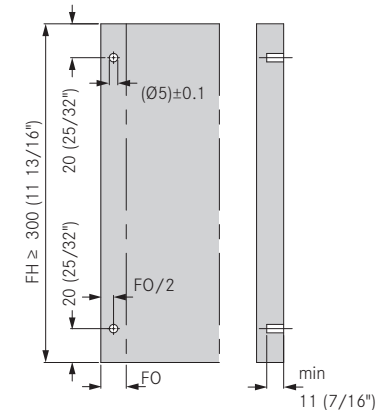
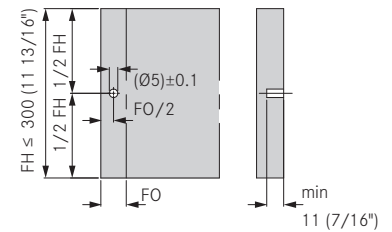
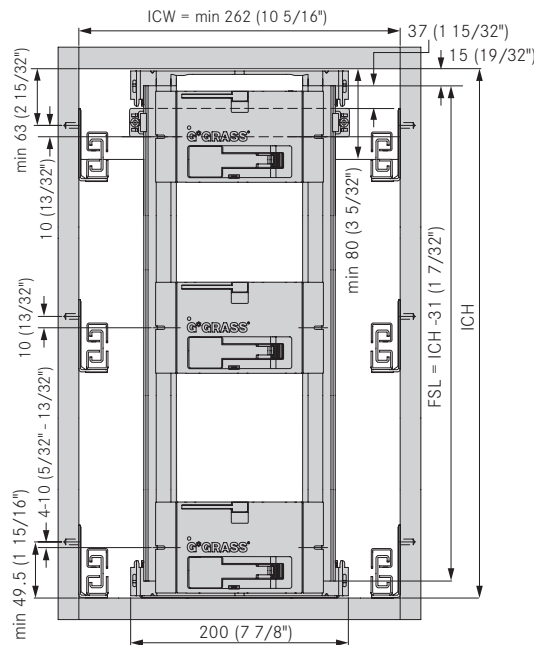
Position of Opening Unit for Nova Pro Scala

Position of Front Bumper

- A = fixing bracket used at top and bottom
- B = frame connector
- C = frame sides
- D = Rear mount fixing bracket, flush
- ICW = inside cabinet width
- NL = nominal length of cabinet slide
- X = min installation depth
- Y = depth of hole pattern

FSL = frame side length
 ICH = inside cabinet height

FH = front height
 FO = front overlay

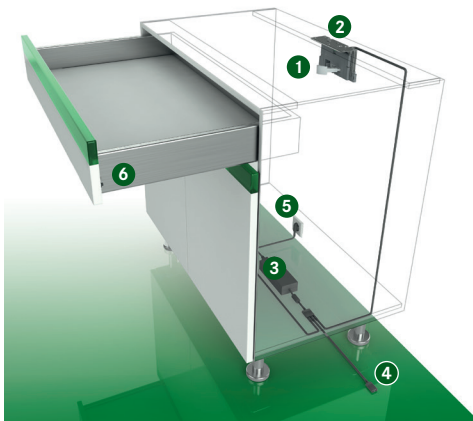


When mounting the heavy-duty slide (154 lb), it is necessary to insert 4 front bumpers into the drawer front.

Do not drive in or glue front bumpers

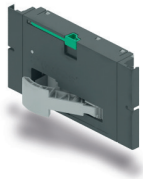
Sensomatic for Nova Pro Scala

Single drawer with top mounting



- Electro-mechanical opening system
- Sensomatic works with any Nova Pro Scala drawer design
- Activated by a light touch anywhere on the drawer front
- One drive unit for cabinets widths up to 48" (1219mm)
- Full-extension for maximum access to drawer contents
- Soft-closing action pulls the drawer closed
- Ideal for accessories such as wire baskets, waste bins, or roll-out trays

1 Opening Unit



	Item No.	PU
For Nova Pro Scala	F121100268607	10

PU - 10 Pieces, individually packaged

2 Frame for Top Assembly



	Item No.	PU
Height 120mm (4 23/32")	F121100272207	10

3 Power Supply Unit



	Item No.	PU
Power supply unit	F121100269607	10

PU = 10 pieces, individually packaged. One power supply operates up to 30 opening units

4 Connection Cable with 2-way-adaptor



Length	Item No.	PU
600mm	F121100288207	10
1000mm	F121100289207	10
1600mm	F121100290207	10
2000mm	F121100291207	10

5 Power Cord, 1.8 m (6')



Type of plug	Item No.	PU
Power cord (USA, CA)	F120069760207	10

6 Spring-loaded Front Bumper

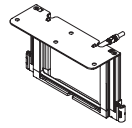
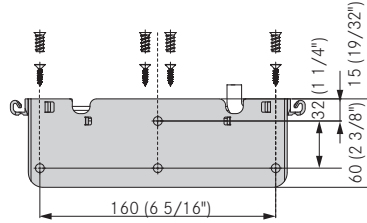
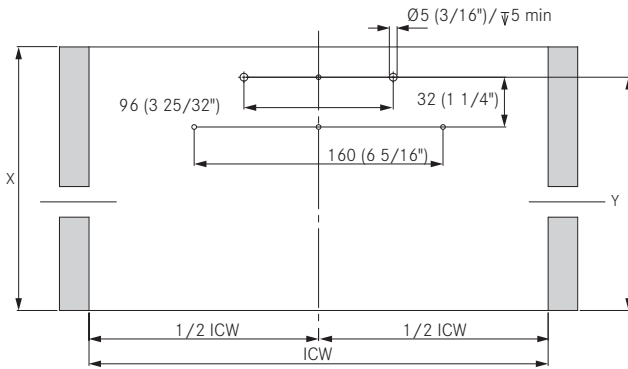
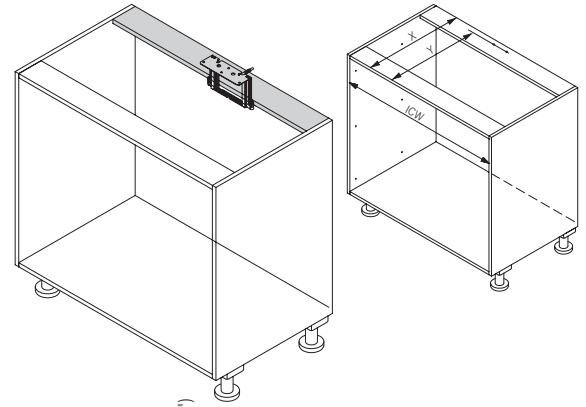
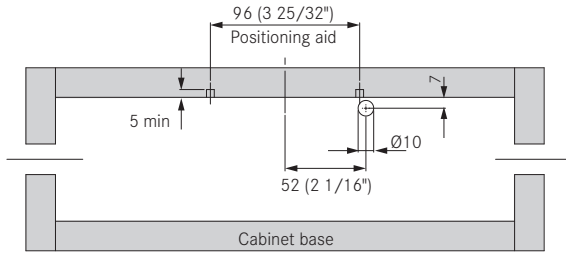


Ø 5mm	Item No.	PU
Front gap 2.2mm	F121100294223	100
Front gap 3mm	F121100295223	100

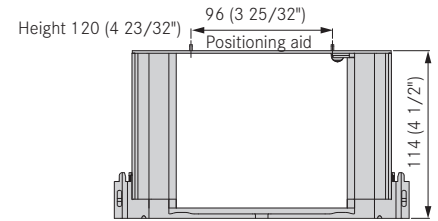
PU - Packaging unit

Mounting Dimensions

Back wall cabling



Frame for top mounting



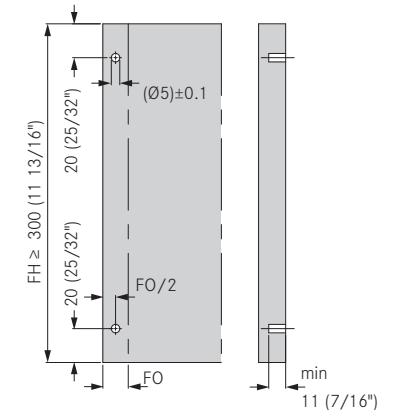
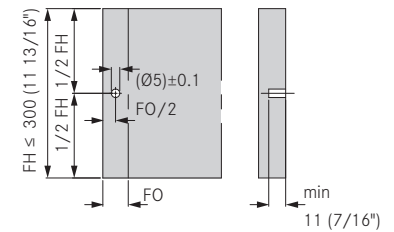
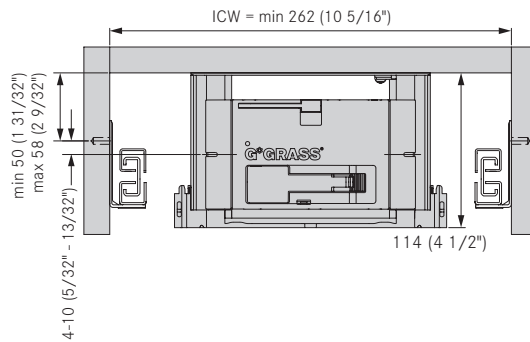
Mounting dimensions Nova Pro Scala	X	Y	Min ICW
Wood back panel + 3mm bumper	NL + 20 (25/32")	NL + 5 (3/16")	262 (10 5/16")
Wood back panel + 2.2mm bumper	NL + 21 (13/16")	NL + 6 (1/4")	262 (10 5/16")

Legend

Position of Opening Unit for Nova Pro Scala

Position of Front Bumper

Height 120 (4 23/32")



ICW = inside cabinet width
 NL = nominal length of cabinet slide
 X = min installation depth
 Y = depth of hole pattern

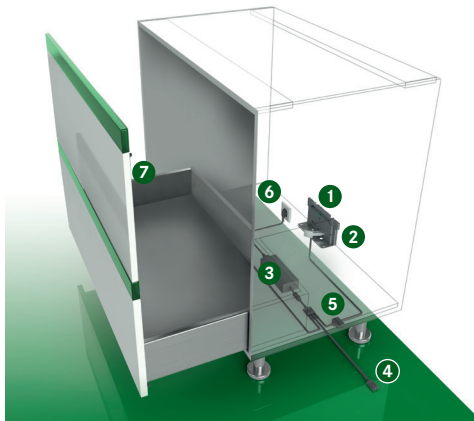
FH = front height
 FO = front overlay

When mounting the heavy-duty slide (154 lb), it is necessary to insert 4 front bumpers into the drawer front.

Do not drive in or glue front bumpers

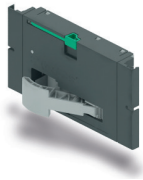
Sensomatic for Nova Pro Scala

Waste bin cabinet with bottom panel frame mounting



- Electro-mechanical opening system
- Sensomatic works with any Nova Pro Scala drawer design
- Activated by a light touch anywhere on the drawer front
- One drive unit for cabinets widths up to 48" (1219mm)
- Full-extension for maximum access to drawer contents
- Soft-closing action pulls the drawer closed
- Ideal for accessories such as wire baskets, waste bins, or roll-out trays

1 Opening Unit



	Item No.	PU
For Nova Pro Scala	F121100268607	10
PU - 10 Pieces, individually packaged		

2 Base Frame



	Item No.	PU
for Nova Pro Scala	F121100271207	10

3 Power Supply Unit



	Item No.	PU
Power supply unit	F121100269607	10
PU = 10 pieces, individually packaged One power supply operates up to 30 opening units		

4 Connection Cable with 2-way-adapter



Length	Item No.	PU
1000mm	F121100289207	10
1600mm	F121100290207	10
2000mm	F121100291207	10

5 4-way-adapter



Type of plug	Item No.	PU
4-way-adapter	F121100293207	10

6 Power Cord, 1.8 m (6')



Type of plug	Item No.	PU
Power cord (USA, CA)	F120069760207	10

7 Spring-loaded Front Bumper



Ø 5mm	Item No.	PU
Front gap 2.2mm	F121100294223	100
Front gap 3mm	F121100295223	100

Sensomatic Kit



Set includes:

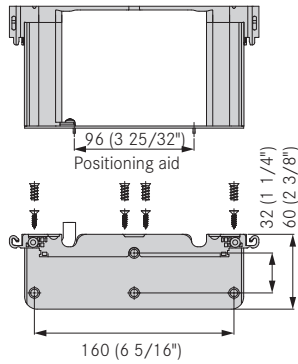
Opening unit: 1 Power cord: 1
 Base frame: 1 Front bumpers: 4
 Power supply unit : 1 (F121100294223)

	Item No.	PU
For Nova Pro Scala	F121100697201	1

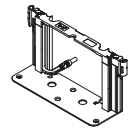
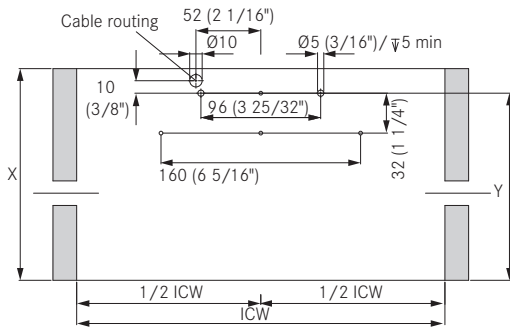
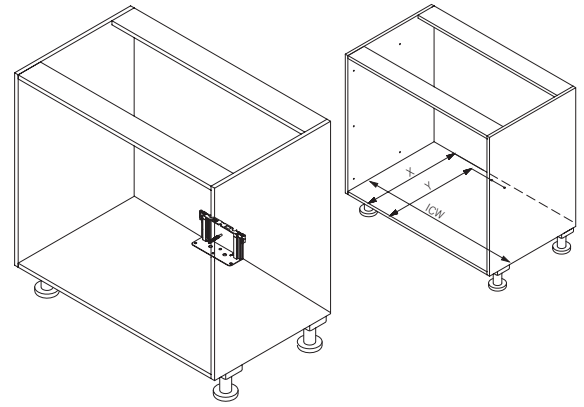
PU = 1 set

PU - Packaging unit

Mounting Dimensions



Base mounting



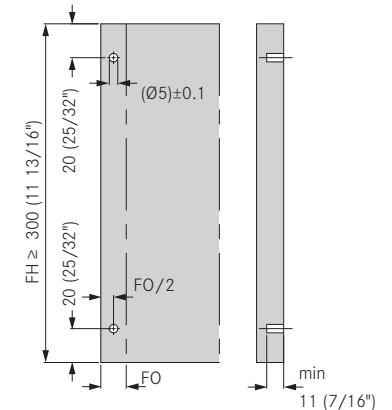
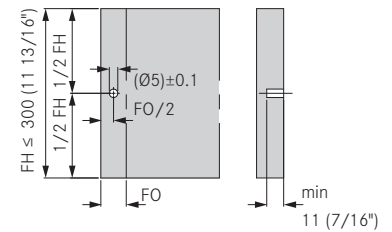
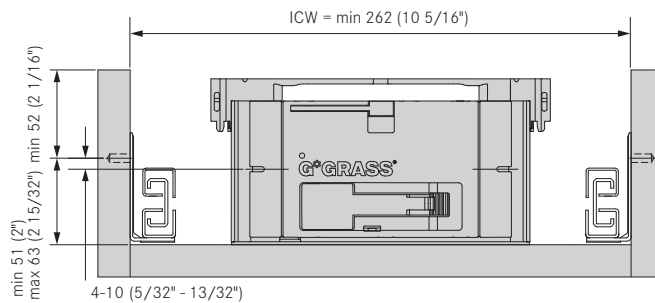
Base frame

Mounting dimensions Nova Pro Scala	X	Y	Min ICW
Wood back panel + 3mm bumper	NL + 20 (25/32")	NL + 5 (3/16")	262 (10 5/16")
Wood back panel + 2.2mm bumper	NL + 21 (13/16")	NL + 6 (1/4")	262 (10 5/16")

Legend

Position of Opening Unit for Nova Pro Scala

Position of Front Bumper



ICW = inside cabinet width
 NL = nominal length of cabinet slide
 X = min installation depth
 Y = depth of hole pattern

FH = front height
 FO = front overlay

When mounting the heavy-duty slide (154 lb), it is necessary to insert 4 front bumpers into the drawer front.

Do not drive in or glue front bumpers



GRASS America Inc.
1202 NC Highway 66 South
Kernersville, NC 27284

Phone: 1-800-334-3512
Fax: 1-800-525-8406

www.grassusa.com
info@grassusa.com

GRASS Canada Inc.
10 Newgale Gate, Unit 7
Toronto, ON M1X 1C5

Phone: 1-800-461-4975
Fax: 1-416-335-5907

www.grasscanada.com
info@grasscanada.com

